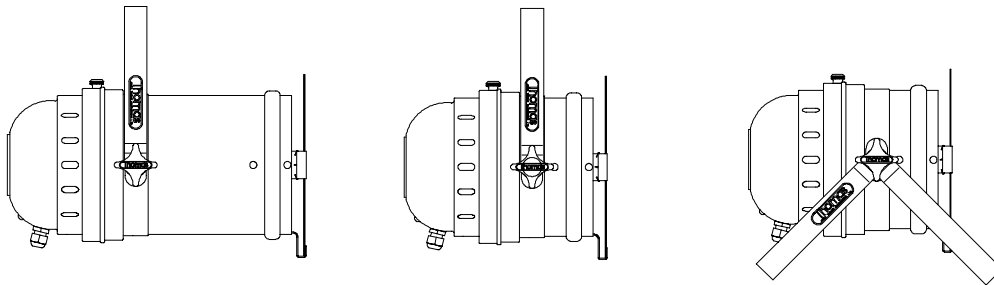


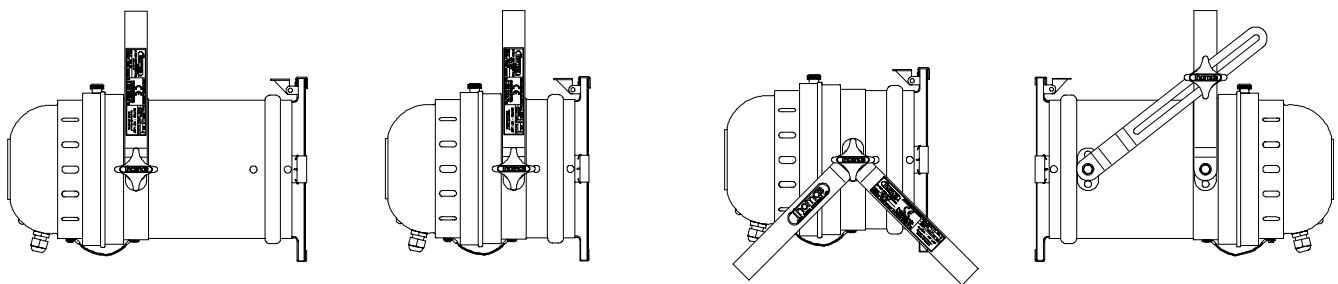
Par 64 Lantern

James Thomas Engineering pioneered the spun aluminium Par lantern. Today it is widely regarded as the industry standard Par fixture. It is manufactured from thick gauge aluminium for maximum durability and with high quality components, all of which contribute to the longevity of the product. A full range of accessories are available. Black and Silver are standard, but other colours are available to order when you specify a RAL colour number. There are many variations available.

Par 64 Standard		Par 64 Shortnose		Par 64 Floorlite	
Colour	Product code	Colour	Product code	Colour	Product code
Black	A6400	Black	A6406	Black	A6412
Silver	A6401	Silver	A6407	Silver	A6413
Colour	A6402	Colour	A6408	Colour	A6414
Weight	1.84 kg	Weight	1.63 kg	Weight	1.93 kg



Par 64 Standard with 4th gell foot		Par 64 Shortnose with 4th gell foot		Par 64 Floorlite with 4th gell foot		Par 64 Colour Changer	
Colour	Product code	Colour	Product code	Colour	Product code	Colour	Product code
Black	A6403	Black	A6409	Black	A6415	Black	A6421
Silver	A6404	Silver	A6410	Silver	A6416	Silver	A6422
Colour	A6405	Colour	A6411	Colour	A6417	Colour	A6423
Weight	1.92 kg	Weight	1.71 kg	Weight	2.00 kg	Weight	2.40 kg



In addition to the types shown above we manufacture lanterns that conform with European regulations. These are listed below with specification details on page 2.

Type	Add suffix	Type of use and standard to which the product conforms.
Professional version	P	Permanent installations in Europe requiring conformity to EN60598-2-17, Health and safety recommendations and the Low Voltage Directive. CE marked.
"A" version	A	General use in Europe requiring conformity to the Low Voltage Directive when using ACL type lamp.
"S" version	S	General use in Europe requiring conformity to the Low Voltage Directive when using CP type sealed beam lamps. CE marked.
"R" version	R	General use in Europe requiring conformity to the Low Voltage Directive when using Raylite reflector and lamp. CE marked.

Par 64 Lantern

Par 64 Lantern specification

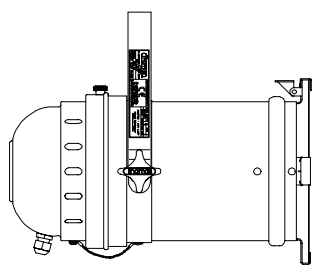
Thick gauge spun aluminium construction, 12mm mesh, 3 gell feet with retaining clips, lamp retaining ring, earth position and 16mm gland

Par 64 Lantern with 4th foot specification

All the above features plus Operating instructions, identification label, spring loaded 4th gell foot and can to body safety earth bond.

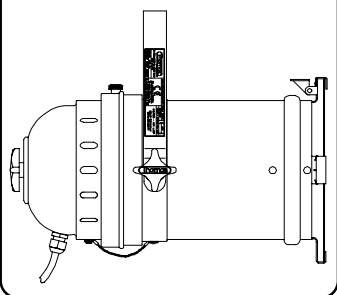
Par 64 Lantern with "A" specification.

All above features plus closed back cap.



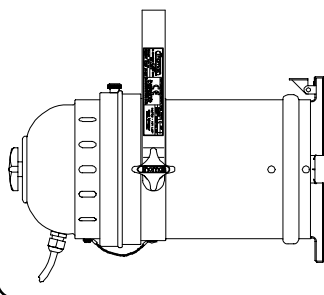
Par 64 Lantern with "S" specification.

All above features plus Lamp adjuster and wiring set. **CE** marked.



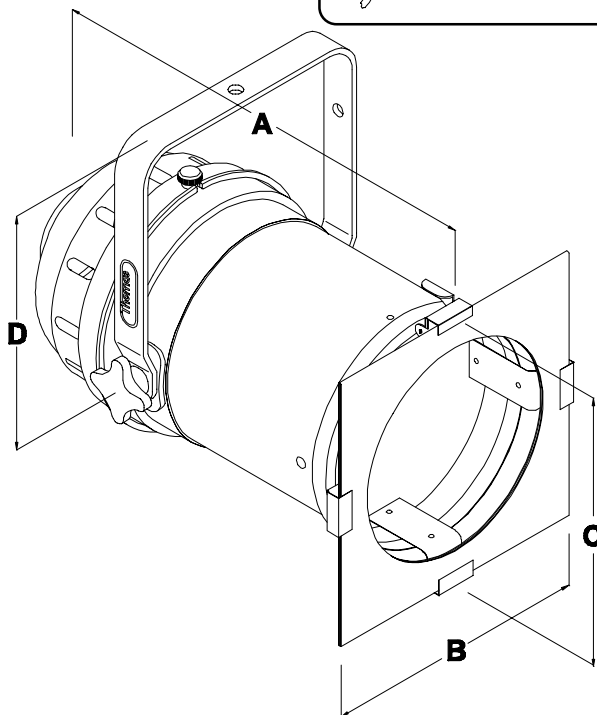
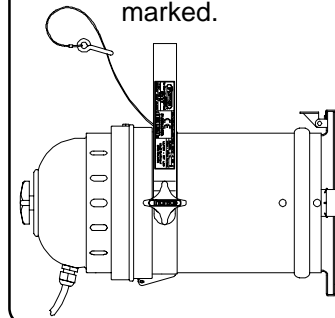
Par 64 Lantern with "R" specification.

All above features plus Lamp adjuster, wiring set and 3mm mesh. **CE** marked.



Par 64 Lantern Professional specification.

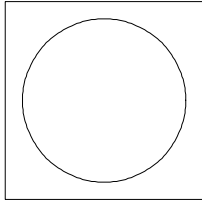
All above features plus Lamp adjuster, wiring set, 3mm mesh, cap to body hinge, cap mesh, body mounted safety wire and cap release screw. **CE** marked.



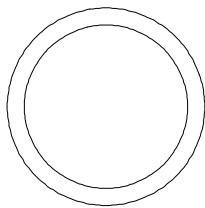
DIMENSIONS (MM)

DESCRIPTION	A Standard & "A" specification	A Professional, "S" & "R" specification	B	C	D
PAR 64 Standard	418	444	266	258	225
PAR 64 Shortnose	285	311	266	248	225
PAR 64 Floorlite	285	311	266	248	230
PAR 64 Colour Changer	418	444	283	258	225

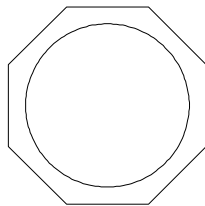
Accessories for Par 64 Lanterns



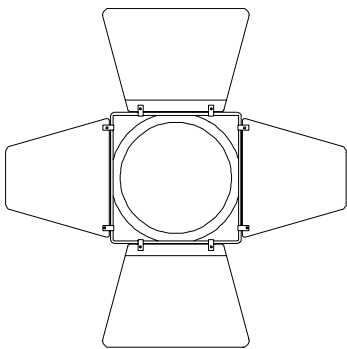
Product Code	Description	Size mm	WT kgs
D6450	Square Colour Frame Black	254 x 254	0.17
D6451	Square Colour Frame Silver		
D6452	Square Colour Frame Colour		



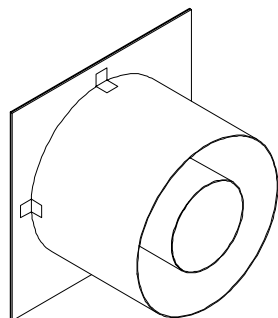
D6453	Circular Colour Frame Black	254 x 254	0.12
D6454	Circular Colour Frame Silver		
D6455	Circular Colour Frame Colour		



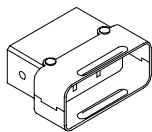
D6456	Octagonal Colour Frame Black	254 x 254	0.11
D6457	Octagonal Colour Frame Silver		
D6458	Octagonal Colour Frame		



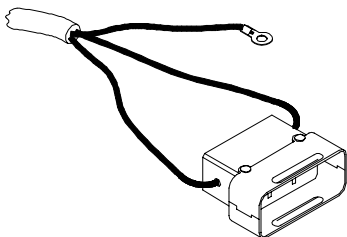
D6460	4 way Barn Door Black		0.85
D6461	4 way Barn Door Silver		



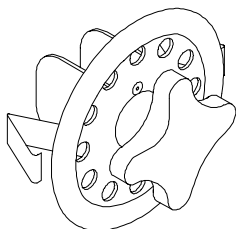
D6403	Spill Ring & Colour Frame 150 mm Long with Gunsight	254 x 254 x 150	1.52
-------	--	--------------------	------



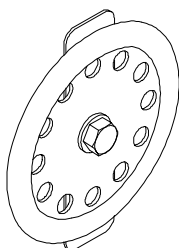
Product Code	Description	Wt kgs
G0000	Re-wirable Lampholder	0.079



G0001	Wiring set with 1 metre silicon cable	0.212
-------	---------------------------------------	-------



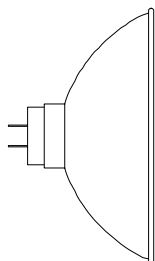
D0210	BLACK	LampAdjuster	0.146
D0211	SILVER	Allows safe focussing of lamp from lantern exterior	0.146



D6475	Cap Blanking Plate	0.096
To close off hole in back cap		

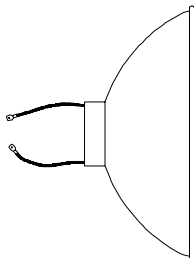
RAYLITES:-

A Range of lightweight bright anodised aluminium reflectors designed to fit in place of par lamps to save weight. Lamp types available are, A1244 240V 500W, DYR 240V 650W, DYS 120V 600W.



G1000	Raylite with mogul prongs - Narrow	0.174
G1001	Raylite with mogul prongs - Medium	0.174
G1002	Raylite with mogul prongs - Wide	0.174

Par 64 Raylite Reflector - Beam Angle		
Narrow	Medium	Wide
11°	21°	31°



G1006	Raylite with short tails - Narrow	0.142
G1007	Raylite with short tails - Medium	0.142
G1008	Raylite with short tails - Wide	0.142