

NEXO

I N N O V A T E

15 PS

SPARE PARTS

NEXO-SA

AFTER SALE DEPARTMENT

154 allée des Erables

ZAC Paris Nord II

B.P.50107

95950 ROISSY Cedex

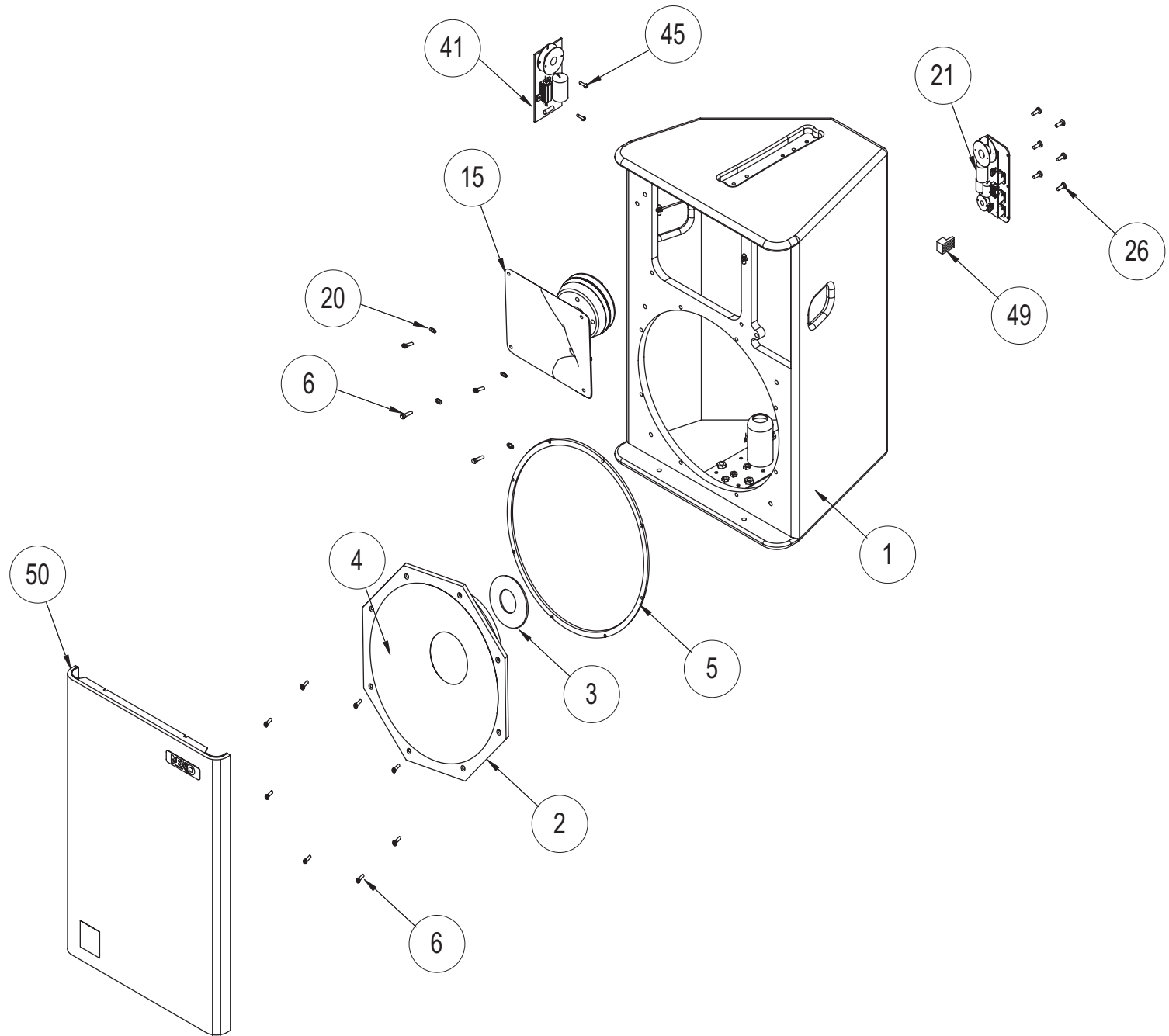
FRANCE

Email : gilbert.laporte@nexo.fr

NEXO

INNOVATE

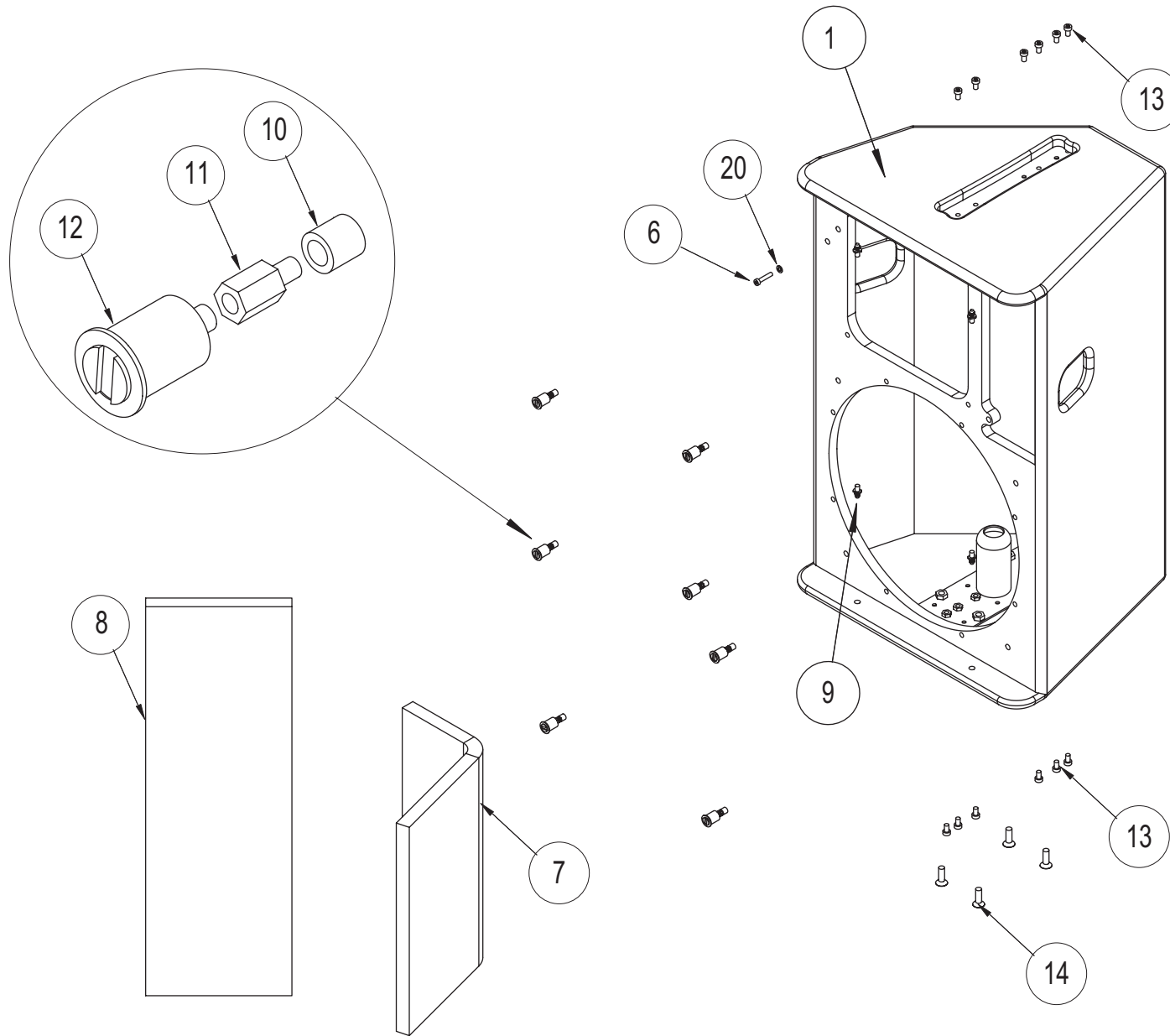
PS 15 EXPLODED VIEW



NEXO

INNOVATE

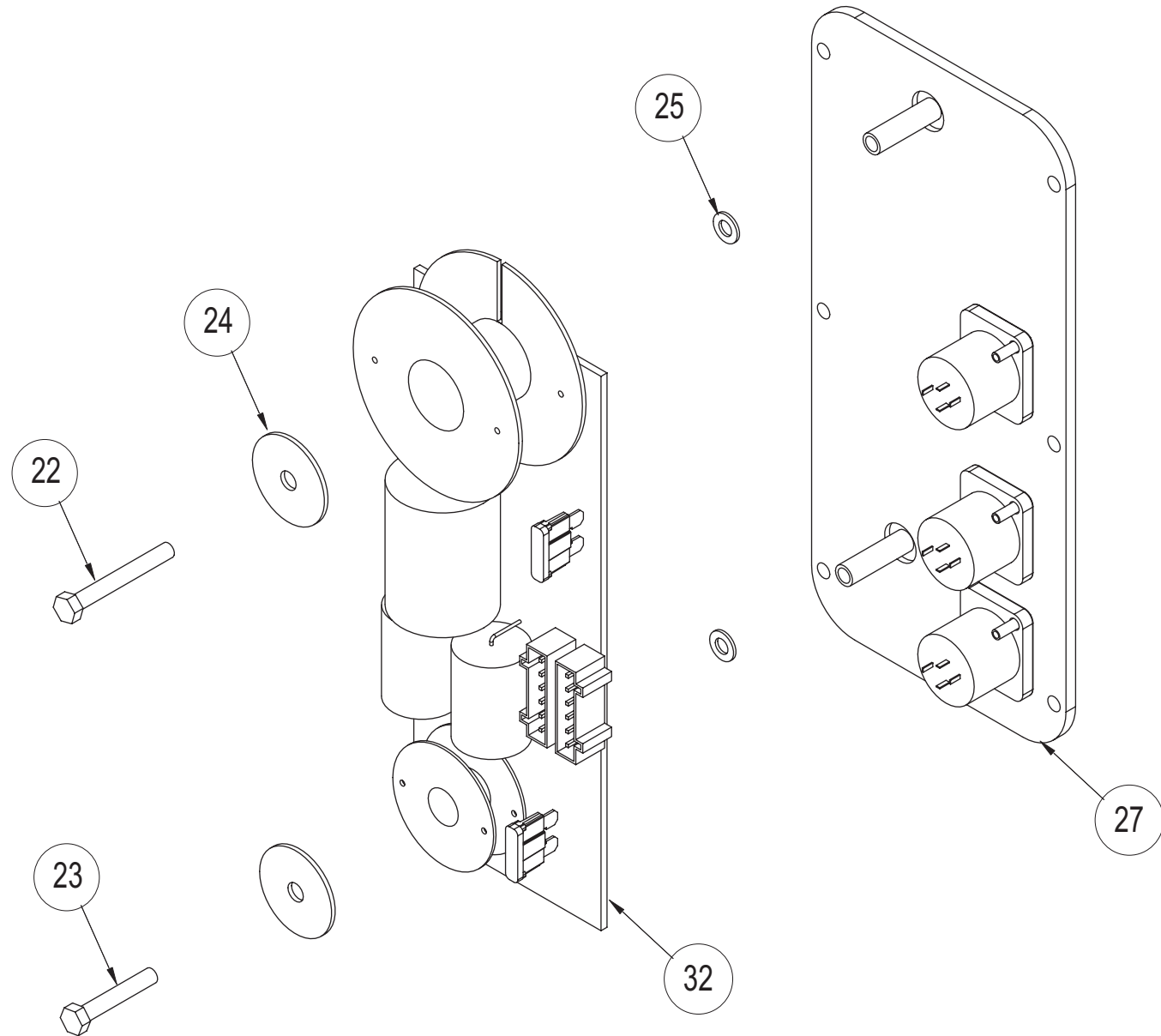
PS 15 COMPLETE CABINET



NEXO

INNOVATE

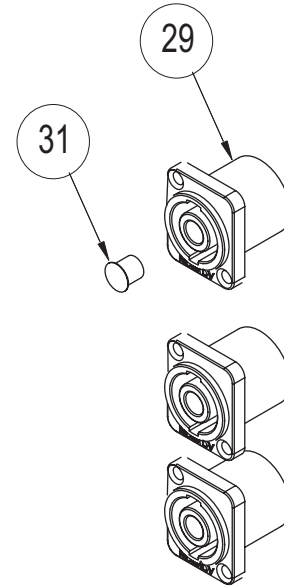
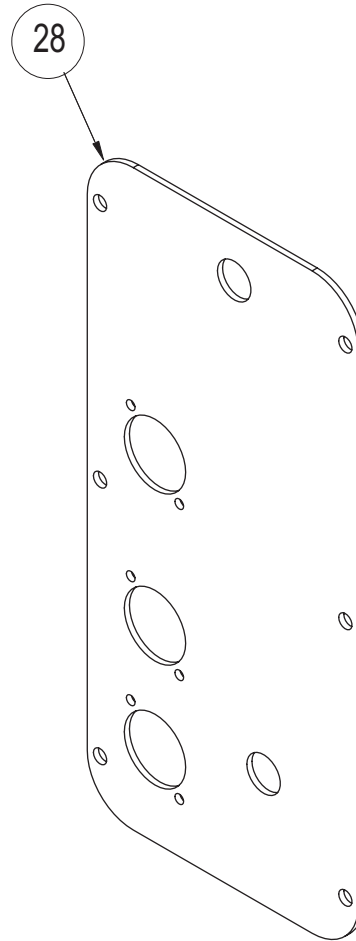
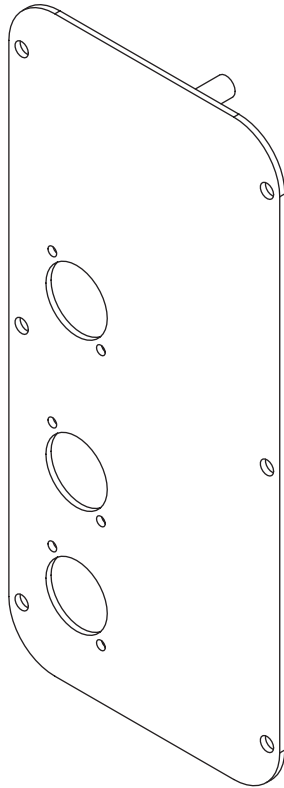
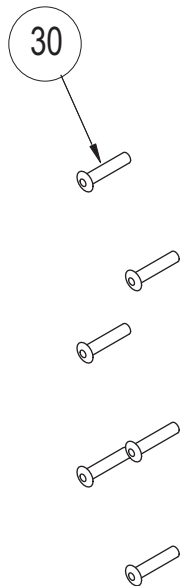
PS 15 COMPLETE PASSIVE FILTER



NEXO

INNOVATE

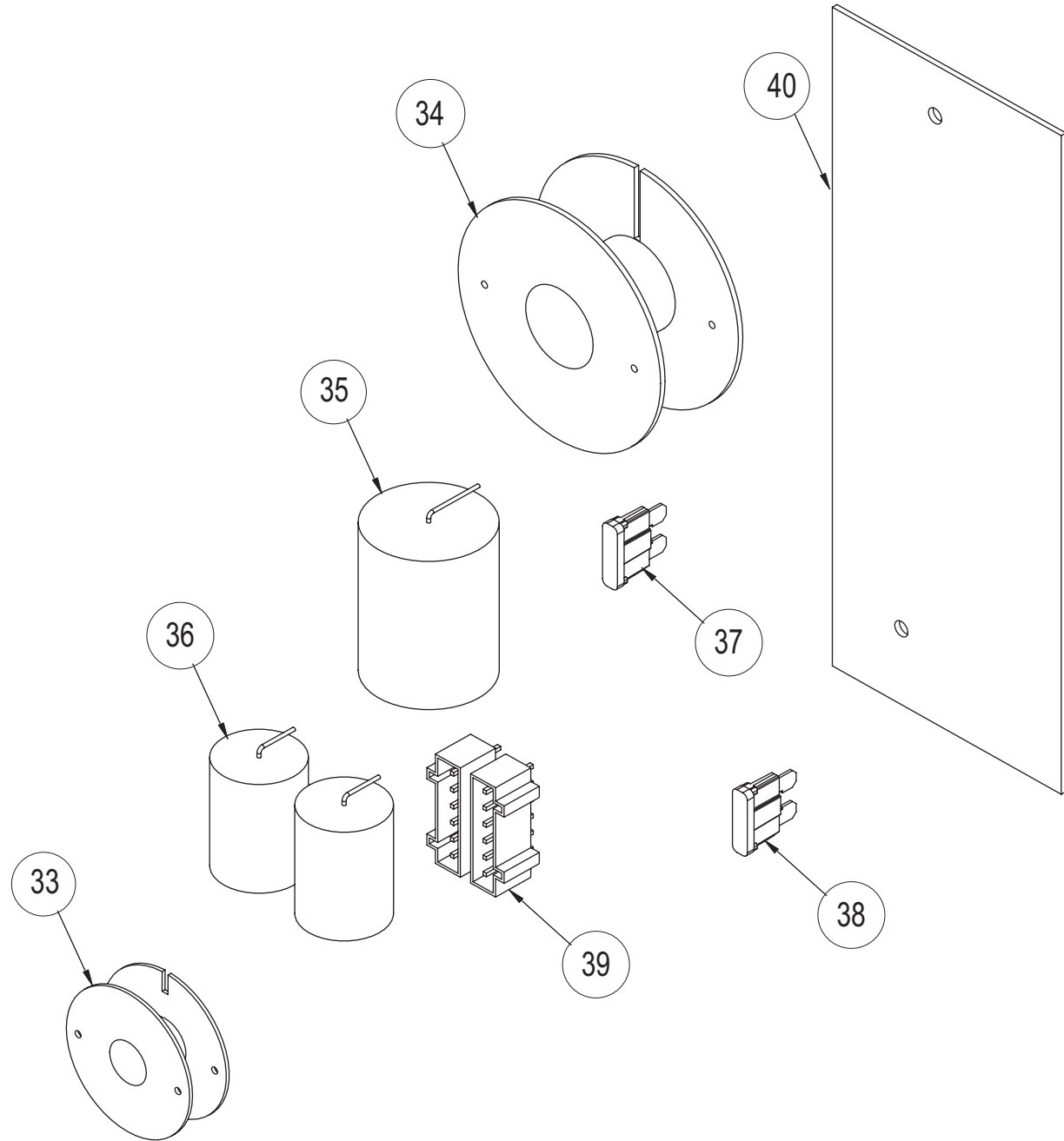
PS 15 COMPLETE CONNECTION PLATE



NEXO

INNOVATE

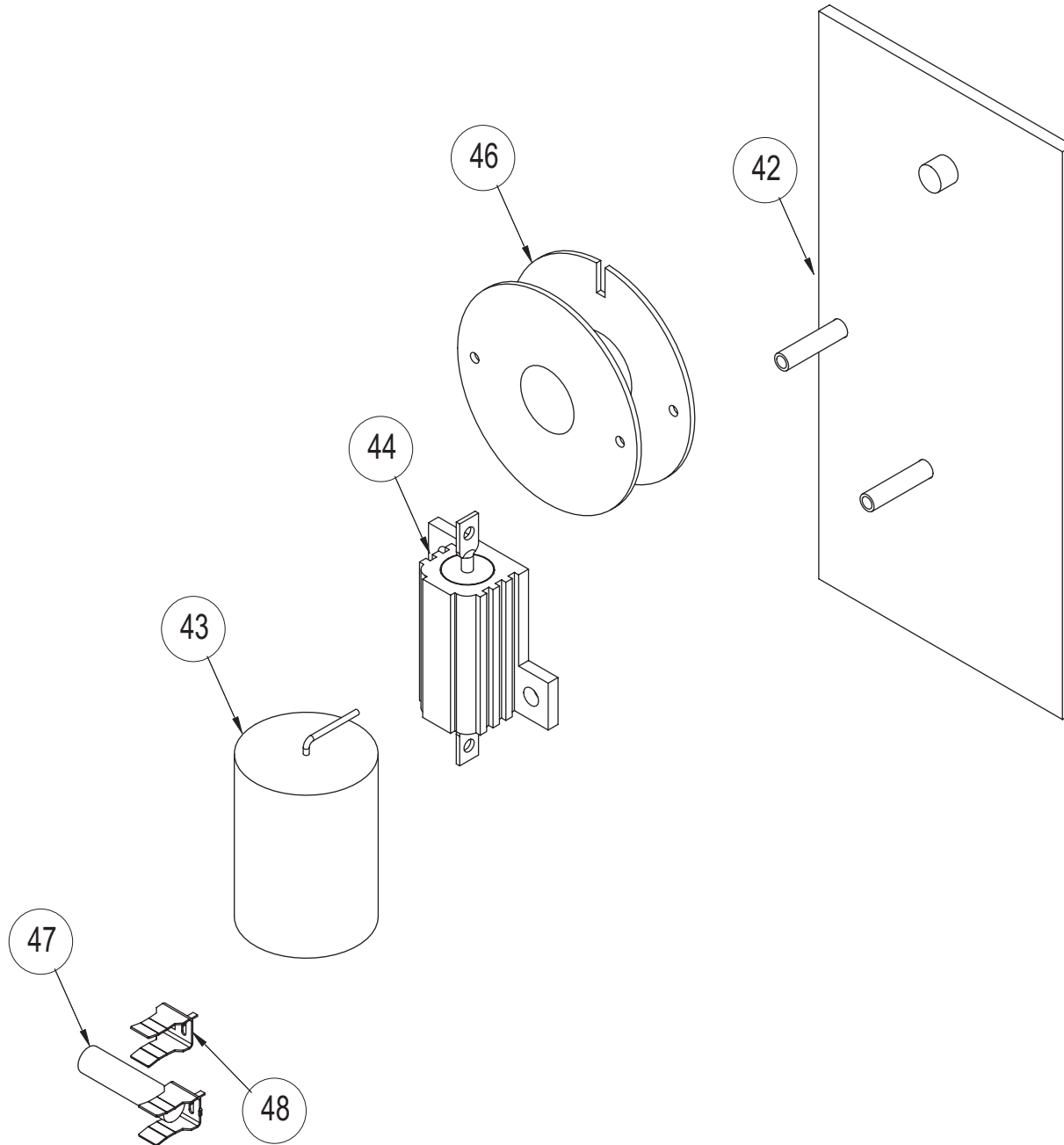
PS 15 MAIN PASSIVE FILTER BOARD





INNOVATE

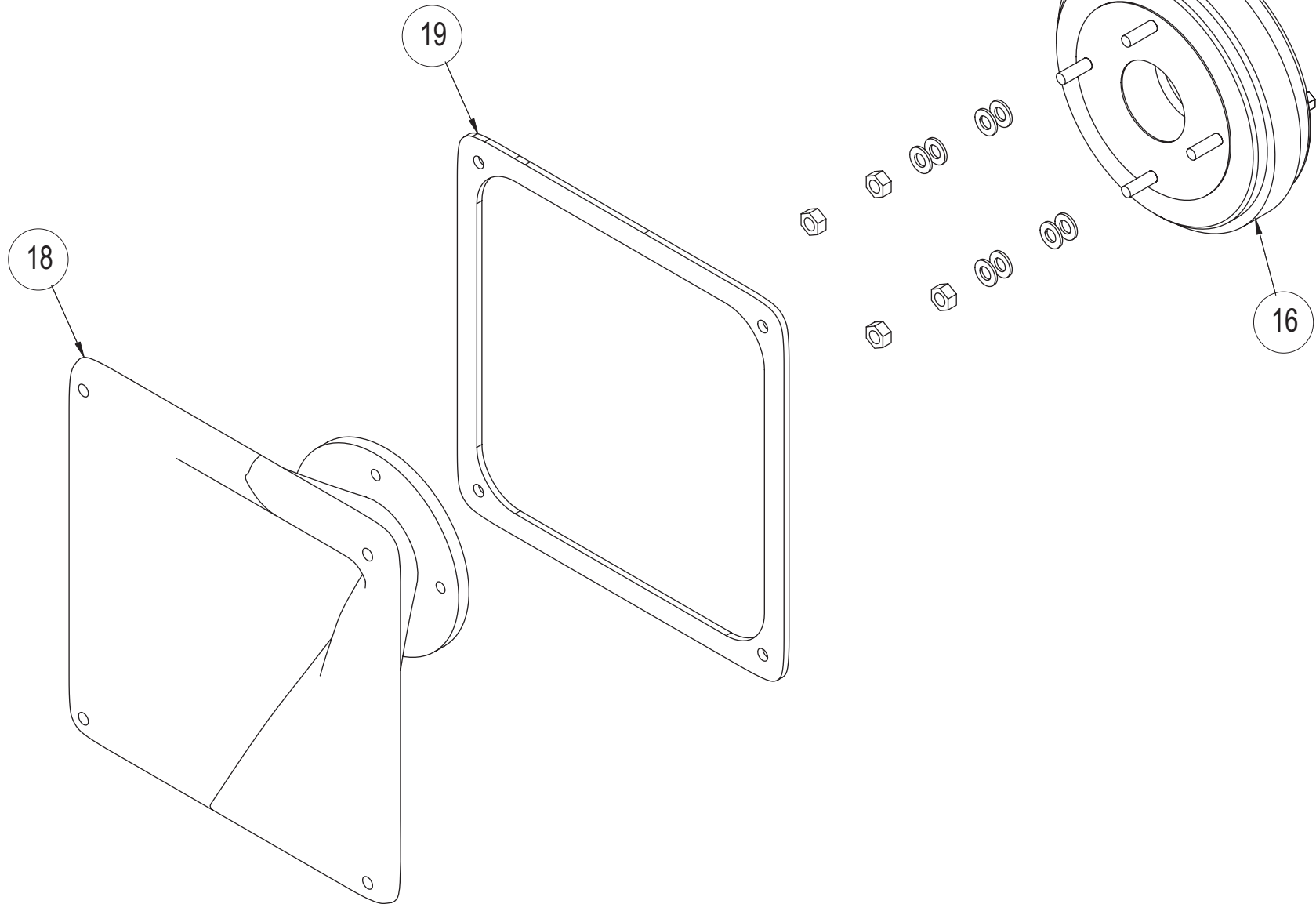
PS 15 MAIN IMPEDANCE COMPENSATION BOARD



NEXO

INNOVATE

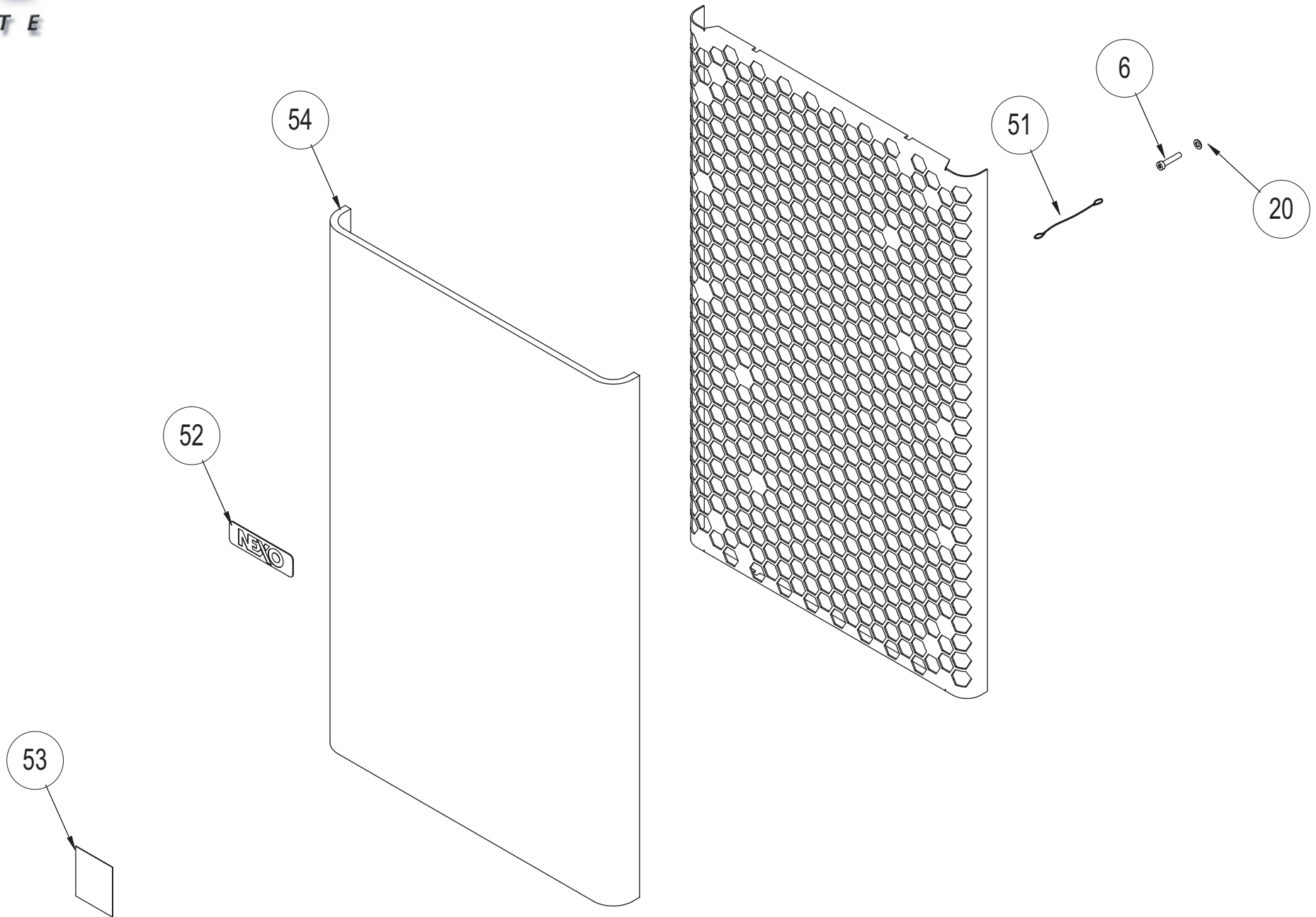
PS 15 HP + HORN



NEXO

INNOVATE

PS 15 COMPLETE GRID



MARK	QUANTITY	ASSEMBLY	SUB ASSEMBLY	PART REFERENCE	DESIGNATION
PS.15					
1	1	\$EBPS15			CABINET PS15 + ACCESSORIES
2	1			\$N1560P-8	HP BASS 15" FOR PS15 COMPLETE
3	1			\$HPPLAQR38	REAR WASHER FOR BASS SPEAKER
4	1			\$N1560R/K	RECONE KIT FOR 15"
5	1			\$JNEOHPBPS15	JOINT FOR HP BASS 15"
6	13			\$VXTCX525N	SCREW TORX CYLINDRIC HEAD 5 X 25 BLACK
7	1			\$MSAF3434	ACOUSTIC FOAM FOR PS15 340 X 340 X 20
8	1			\$MSAF6420	ACOUSTIC FOAM FOR PS15 195 X 635 X 20
9	4			\$CPBHTS2	WOOD INSERT PLASTIC BHTS-2-M6-01
10	7			\$AP74511	WOOD INSERT PLASTIC M5-74-11
11	7			\$ENTRPS15	HEXAGONAL SPACER M5 X 10
12	7			\$AIMANT1	MAGNET FIXATION FOR PS15 GRID
13	12			\$VXTCX610N	SCREW TORX CYLINDRIC HEAD 6 X 10 BLACK
14	4			\$VXTCFX825N	SCREW TORX FLAT HEAD 8 X 25 BLACK
15	1	PS.15UC			DRIVER + HORN PS15
16	1			\$N75B-8	DRIVER FOR PS15 COMPLETE
17	1			\$NH75R/K	DIAPHRAGM
18	1			\$PAVPS15	PS15 HORN
19	1			\$JNEOHMPS15	HORN JOINT PS15
20	5			\$VRX520N	WASHER 5 X 20 STEEL BLACK
21	1	\$PS.15FPC			PASSIVE FILTER FOR PS15 COMPLETE
22	1			\$VLTH540	HEXAGONAL SCREW BRASS 5 X 40
23	1			\$VLTH530	HEXAGONAL SCREW BRASS 5 X 30
24	2			\$VRA630Z	WASHER Zg 6 X30
25	2			\$VRA510ZN	WASHER Zg 5 X 10 BLACK
26	6			\$VXCHB416N	SCREW TORX BUTTON HEAD 4 X 16 STEEL BLACK
27	1		\$PS.15FPA		CONNECTION PLATE COMPLETE WITH ARTWORK
28	1			\$JNEOHM+TPS15	JOINT FOR CONNECTION PLATE
29	3			\$CNXNL4MP	SPEAKON 4
30	6			\$VRIV3.216N	ALUMINIUM RIVET PLATE
31	1			\$APBOUCH250	SECURITY PLUG FOR SPEAKON CONNECTOR
32	1		\$PS.15FPB		PASSIVE FILTER

33	1			\$FS100H1.1	COIL 1.1 MH 100 GR R20
34	1			\$FS450H1.85	COIL 1.85 MH 100 GR R20
35	1			\$FCNP35	CAPACITOR 35µF MKP PB 400 Vcd 5% Fab Spec
36	1			\$FCNP8	CAPACITOR 8µF MKP PB 400 Vcd 5%
37	1			\$FFAUTO10	FUSE 10A
38	1			\$FFAUTO5	FUSE 5A
39	2			\$CNX721-166/001	MALE CONNECTOR
40	1			PCBPS15	PCB PS15 FILTER
41	1	\$PS.15FPCOMP			IMPEDANCE COMPENSATION NETWORK PS15
42	1			\$FPCOMPSS15V2	PCB PS15 IMPEDANCE FILTER
43	1			\$FNCP8	CONDENSATOR 8µF MKP PB 400V Vcd 5%
44	1			\$FR25W22	RESISTANCE WH25 22R
45	2			\$VXTCC4,514N	SCREW VBA TCC 4,5 X 14 STEEL BLACK
46	1			\$FS100H3.0	COIL 3.0 mH 100 gr R20
47	1			\$FUS520T500	FUSE 5 X 20 T 500mA REF: 533-956
48	2			\$SUPFUS520	CLIP SUPPORT FUSE 5 X 20
49	1	\$CNX721-106/037			INTERNAL FEMALE CONNECTOR
50	1	\$PS.15UA			PS15 COMPLETE GRID
51	1			\$DRISSAC	STEEL SLING
52	1			\$LOGNEXO	NEXO LOGO
53	1			\$LOGPS15	PS15 LOGO
54	1			\$MBULPEPS15	PS15 GRID FOAM