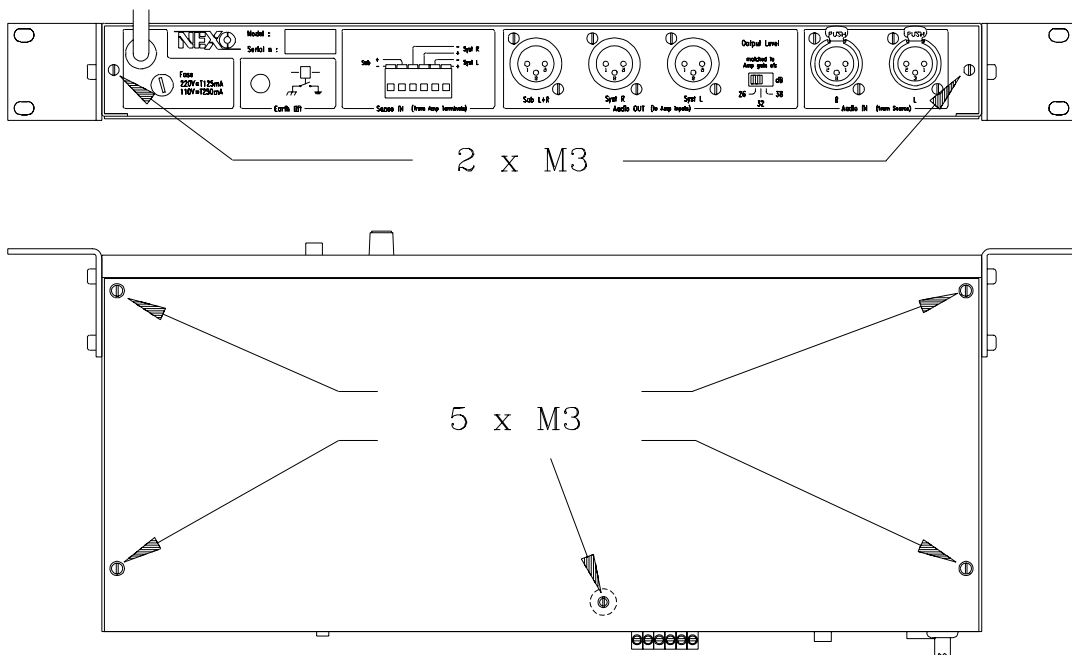


IV. PS TDcontroller REFERENCE GUIDE

IV.1. General instructions

Actual maintenance of PSTDcontrollers requires very specific test procedures and equipment ; for that reason it should only be made at NEXO's factory.

In some cases, simple investigations and controls may be sufficient to find out a faulty component. To disassemble the controller (as shown on the next drawings), release the 2 screws located on the left and on the right side of the rear panel, and the 5 screws located on the bottom. Then pull gently the rear panel backwards, to disengage the PCB which is attached to it.



IV.2. Adaptation to the mains voltage (110/220 V)

Unless stated otherwise, the PS TDcontroller is shipped ready to be used with 220-240 V AC mains voltage. It can also work under 110-220 V AC mains voltage, but this requires the opening of the TDcontroller for the following internal adjustment (cf Figure 4 & Figure 5)

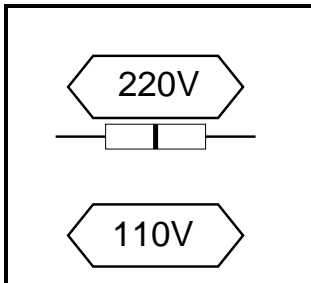


Figure 4 Strap (one 0 Ohm resistor) locations for 220V operation

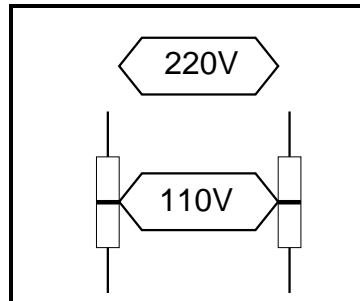


Figure 5 Straps (two 0 Ohm resistors) locations for 110V operation

IV.3. Revision history

IV.3.a.PS10 TDcontroller

- Successive versions of the PS10 TDcontroller are listed below from the latest (at the time of writing this Manual) to the oldest :
- 3A (from serial number 868 and after)
This version has an improved temperature control on the bass loudspeaker, and power compression compensation.
- 2C (from serial number 361 to 867) :
This version uses a new PCB and includes an additional function :fall back mode for servo operation (see User Manual).
- 1A (from serial numbers 1 to 360) :
For the part list and schematic of this early version, please contact the NEXO factory.

IV.3.b.PS15 TDcontroller

Successive versions of the PS15 TDcontroller are listed below from the latest (at the time of writing this Manual) to the oldest :

- 3B (from serial number 56) :
This version uses the same PCB with a revised part list.
- 3A (from serial numbers 1 to 55) :
This version was adapted for the earliest bass loudspeaker (HPBPS15A). For the part list of this version, please contact the NEXO factory.

IV.4. PS10 TDcontroller. Parts list

PS10TDcontroller (version 3A)				
REFERENCE	Description	SPECS	TOL	RATING
C1	Film	1.5nF	5%	63V
C2	Ceramic	220pF	5%	63V
C3	Ceramic	220pF	5%	63V
C4	Film	3.3nF	5%	63V
C5	Film	NC	5%	63V
C6	Film	NC	5%	63V
C7	Film	100nF	5%	63V
C8	Film	1nF	5%	63V
C9	Film	220nF	5%	63V
C10	Radial electrolytic	47uF	20%	25V
C11	Ceramic	33pF	20%	63V
C12	Radial electrolytic	47uF	20%	25V
C13	Ceramic	33pF	20%	63V
C14	Film	100nF	5%	63V
C15	Film	68nF	5%	63V
C16	Film	1.5nF	5%	63V
C17	Ceramic	220pF	5%	63V
C18	Film	3.3nF	5%	63V
C19	Ceramic	NC	5%	63V
C20	Ceramic	NC	5%	63V
C21	Film	220nF	5%	63V
C22	Film	100nF	5%	63V
C23	Film	1nF	5%	63V
C24	Radial electrolytic	NC	20%	25V
C25	Ceramic	33pF	20%	63V
C26	Film	1.5nF	5%	63V
C27	Ceramic	220pF	5%	63V
C28	Film	NC	5%	63V
C29	Film	100nF	5%	63V
C30	Film	33nF	5%	63V
C31	Radial electrolytic	1uF	20%	25V
C32	Ceramic	33pF	20%	63V
C33	Film	100nF	5%	63V
C34	Film	68nF	5%	63V
C35	Film	1.5nF	5%	63V
C36	Film	22nF	5%	63V
C37	Film	1.5nF	5%	63V

PS10TDcontroller (version 3A)				
REFERENCE	Description	SPECS	TOL	RATING
C38	Ceramic	33pF	20%	63V
C39	Film	100nF	5%	63V
C40	Film	100nF	5%	63V
C41	Film	22nF	5%	63V
C42	Film	33nF	5%	63V
C43	Radial electrolytic	NC	20%	25V
C44	Film	1nF	5%	63V
C45	Film	15nF	5%	63V
C46	Film	47nF	5%	63V
C47	Film	47nF	5%	63V
C48	Film	22nF	5%	63V
C49	Radial electrolytic	1uF	20%	25V
C50	Radial electrolytic	47uF	20%	25V
C51	Radial electrolytic	47uF	20%	25V
C52	Ceramic	12pF	20%	63V
C53	Film	100nF	5%	63V
C54	Film	22nF	5%	63V
C55	Film	1.5nF	5%	63V
C56	Ceramic	33pF	20%	63V
C57	Film	1nF	5%	63V
C58	Film	1nF	5%	63V
C59	Film	15nF	5%	63V
C60	Film	47nF	5%	63V
C61	Film	47nF	5%	63V
C62	Film	4.7nF	5%	63V
C63	Film	1nF	5%	63V
C64	Film	100nF	5%	63V
C65	Film	100nF	5%	63V
C66	Film	100nF	5%	63V
C67	Film	47nF	5%	63V
C68	Radial electrolytic	47uF	20%	25V
C69	Radial electrolytic	47uF	20%	25V
C70	Radial electrolytic	10uF	20%	25V
C71	Ceramic	12pF	20%	63V
C72	Film	100nF	5%	63V
C73	Radial electrolytic	10uF	20%	25V
C74	Film	6.8nF	5%	63V
C75	Film	100nF	5%	63V
C76	Film	100nF	5%	63V
C77	Radial electrolytic	10uF	20%	25V

PS10TDcontroller (version 3A)				
REFERENCE	Description	SPECS	TOL	RATING
C78	Film	NC	5%	63V
C79	Film	NC	5%	63V
C80	Film	100nF	5%	63V
C81	Film	100nF	5%	63V
C82	Film	47nF	5%	63V
C83	Film	330nF	5%	63V
C84	Radial electrolytic	1uF	20%	25V
C85	Radial electrolytic	47uF	20%	25V
C86	Radial electrolytic	47uF	20%	25V
C87	Film	1nF	5%	63V
C88	Film	100nF	5%	63V
C89	Film	220nF	5%	63V
C90	Film	1nF	5%	63V
C91	Film	10nF	5%	63V
C92	Film	100nF	5%	63V
C93	Film	47nF	5%	63V
C94	Radial electrolytic	10uF	20%	25V
C95	Film	100nF	5%	63V
C96	Film	47nF	5%	63V
C97	Film	22nF	5%	63V
C98	Film	100nF	5%	63V
C99	Film	68nF	5%	63V
C100	Film	2.2nF	5%	63V
C101	Film	2.2nF	5%	63V
C102	Film	47nF	5%	63V
C103	Film	100nF	5%	63V
C104	Film	100nF	5%	63V
C105	Radial electrolytic	100uF	20%	25V
C106	Film	220nF	5%	63V
C107	Film	330nF	5%	63V
C108	Film	1nF	5%	63V
C109	Radial electrolytic	10uF	20%	25V
C110	Radial electrolytic	10uF	20%	25V
C111	Radial electrolytic	10uF	20%	25V
C112	Film	47nF	5%	63V
C113	Film	22nF	5%	63V
C114	Film	100nF	5%	63V
C115	Film	68nF	5%	63V
C116	Film	2.2nF	5%	63V
C117	Film	2.2nF	5%	63V

PS10TDcontroller (version 3A)				
REFERENCE	Description	SPECS	TOL	RATING
C118	Film	47nF	5%	63V
C119	Film	100nF	5%	63V
C120	Film	33nF	5%	63V
C121	Radial electrolytic	10uF	20%	25V
C122	Film	33nF	5%	63V
C123	Film	100nF	5%	63V
C124	Radial electrolytic	100uF	20%	25V
C125	Film	220nF	5%	63V
C126	Film	330nF	5%	63V
C127	Film	1nF	5%	63V
C128	Radial electrolytic	10uF	20%	25V
C129	Radial electrolytic	10uF	20%	25V
C130	Film	100nF	5%	63V
C131	Radial electrolytic	2200uF	20%	25V
C132	Radial electrolytic	10uF	20%	25V
C133	Radial electrolytic	10uF	20%	25V
C134	Film	100nF	5%	63V
C135	Radial electrolytic	2200uF	20%	25V
D1	1N4148			
D2	1N4148			
D3	NC			
D4	NC			
D5	1N4148			
D6	1N4148			
D7	1N4148			
D8	1N4148			
D9	1N4148			
D10	1N4148			
D11	NC			
D12	NC			
D13	1N4148			
D14	1N4148			
D15	1N4148			
D16	1N4148			
D17	1N4148			
D18	1N6263			
D19	1N4148			
D20	1N4148			
D21	1N4148			
D22	1N4148			

PS10TDcontroller (version 3A)				
REFERENCE	Description	SPECS	TOL	RATING
D23	1N4148			
D24	1N4148			
D25	1N4148			
D26	1N4148			
D27	1N4148			
D28	1N4148			
D29	1N4148			
D30	1N4148			
D31	1N4148			
D32	1N4148			
D33	1N6263			
D34	1N4148			
D35	1N4148			
D36	1N4148			
D37	1N4148			
D38	1N4148			
D39	1N4148			
D40	1N4148			
D41	1N4148			
D42	1N4148			
D43	1N4148			
D44	1N4148			
D45	1N6263			
D46	1N4148			
D47	1N4148			
D48	1N4148			
D49	1N4148			
D50	1N4148			
D51	1N4148			
D52	W04g			
F1		125mA		250V
J0	Power chord	3x1.5mm ²		
J1	XLR3F	3pts F		
J2	XLR3F	3pts F		
J3	XLR3M	3Pts M		
J4	XLR3M	3Pts M		
J5	XLR3M	3Pts M		
J678	CF-5-6	6Pts M		
LED1	3mm w socket	Red		
LED2	3mm w socket	Green		

PS10TDcontroller (version 3A)				
REFERENCE	Description	SPECS	TOL	RATING
LED3	3mm w socket	Red		
LED4	3mm w socket	Yellow		
LED5	3mm w socket	Green		
LED6	3mm w socket	Red		
LED7	3mm w socket	Yellow		
LED8	3mm w socket	Yellow		
LED9	3mm w socket	Green		
LED10	3mm w socket	Red		
LED11	3mm w socket	Yellow		
LED12	3mm w socket	Yellow		
LED13	3mm w socket	Green		
P1	PC16M1	47kA	10%	
R1	Metal	15k	1%	1/4W
R2	Metal	681k	1%	1/4W
R3	Metal	18k2	1%	1/4W
R4	Metal	2k21	1%	1/4W
R5	Metal	NC	1%	1/4W
R6	Metal	20k	1%	1/4W
R7	Metal	15k	1%	1/4W
R8	Metal	15k	1%	1/4W
R9	Metal	464	1%	1/4W
R10	Metal	464	1%	1/4W
R11	Metal	20k	1%	1/4W
R12	Metal	121k	1%	1/4W
R13	Metal	10k	1%	1/4W
R14	Metal	3k32	1%	1/4W
R15	Metal	12k1	1%	1/4W
R16	Metal	12k1	1%	1/4W
R17	Metal	15k	1%	1/4W
R18	Metal	464	1%	1/4W
R19	Metal	20k	1%	1/4W
R20	Metal	464	1%	1/4W
R21	Metal	NC	1%	1/4W
R22	Metal	NC	1%	1/4W
R23	Metal	NC	1%	1/4W
R24	Metal	10k	1%	1/4W
R25	Metal	49k9	1%	1/4W
R26	Metal	464k	1%	1/4W
R27	Metal	2k49	1%	1/4W
R28	Metal	22k1	1%	1/4W

PS10TDcontroller (version 3A)				
REFERENCE	Description	SPECS	TOL	RATING
R29	Metal	20k	1%	1/4W
R30	Metal	22k1	1%	1/4W
R31	Metal	18k2	1%	1/4W
R32	Metal	18k2	1%	1/4W
R33	Metal	22k1	1%	1/4W
R34	Metal	121k	1%	1/4W
R35	Metal	5k62	1%	1/4W
R36	Metal	10k	1%	1/4W
R37	Metal	0		1/4W
R38	Metal	20k	1%	1/4W
R39	Metal	15k	1%	1/4W
R40	Metal	15k	1%	1/4W
R41	Metal	464	1%	1/4W
R42	Metal	464	1%	1/4W
R43	Metal	20k	1%	1/4W
R44	Metal	121k	1%	1/4W
R45	Metal	3k32	1%	1/4W
R46	Metal	10k	1%	1/4W
R47	Metal	12k1	1%	1/4W
R48	Metal	12k1	1%	1/4W
R49	Metal	15k	1%	1/4W
R50	Metal	464	1%	1/4W
R51	Metal	20k	1%	1/4W
R52	Metal	464	1%	1/4W
R53	Metal	NC	1%	1/4W
R54	Metal	NC	1%	1/4W
R55	Metal	NC	1%	1/4W
R56	Metal	2k49	1%	1/4W
R57	Metal	20k	1%	1/4W
R58	Metal	22k1	1%	1/4W
R59	Metal	464k	1%	1/4W
R60	Metal	49k9	1%	1/4W
R61	Metal	22k1	1%	1/4W
R62	Metal	15k	1%	1/4W
R63	Metal	681k	1%	1/4W
R64	Metal	18k2	1%	1/4W
R65	Metal	2k21	1%	1/4W
R66	Metal	NC	1%	1/4W
R67	Metal	NC	1%	1/4W
R68	Metal	NC	1%	1/4W

PS10TDcontroller (version 3A)				
REFERENCE	Description	SPECS	TOL	RATING
R69	Metal	NC	1%	1/4W
R70	Metal	NC	1%	1/4W
R71	Metal	4k64	1%	1/4W
R72	Metal	2k21	1%	1/4W
R73	Metal	2k21	1%	1/4W
R74	Metal	6k81	1%	1/4W
R75	Metal	0		1/4W
R76	Metal	NC	1%	1/4W
R77	Metal	681k	1%	1/4W
R78	Metal	2k21	1%	1/4W
R79	Metal	2k	1%	1/4W
R80	Metal	18k2	1%	1/4W
R81	Metal	18k2	1%	1/4W
R82	Metal	22k1	1%	1/4W
R83	Metal	10k	1%	1/4W
R84	Metal	5k62	1%	1/4W
R85	Metal	121k	1%	1/4W
R86	Metal	NC	1%	1/4W
R87	Metal	0		1/4W
R88	Metal	150k	1%	1/4W
R89	Metal	27k4	1%	1/4W
R90	Metal	51.1	1%	1/4W
R91	Metal	100k	1%	1/4W
R92	Metal	20k	1%	1/4W
R93	Metal	13k	1%	1/4W
R94	Metal	121k	1%	1/4W
R95	Metal	681k	1%	1/4W
R96	Metal	NC	1%	1/4W
R97	Metal	2k	1%	1/4W
R98	Metal	2k21	1%	1/4W
R99	Metal	10k	1%	1/4W
R100	Metal	46k4	1%	1/4W
R101	Metal	46k4	1%	1/4W
R102	Metal	6k81	1%	1/4W
R103	Metal	10k	1%	1/4W
R104	Metal	22k1	1%	1/4W
R105	Metal	1k	1%	1/4W
R106	Metal	1k	1%	1/4W
R107	Metal	5k62	1%	1/4W
R108	Metal	121	1%	1/4W

PS10TDcontroller (version 3A)				
REFERENCE	Description	SPECS	TOL	RATING
R109	Metal	49k9	1%	1/4W
R110	Metal	2k21	1%	1/4W
R111	Metal	15k	1%	1/4W
R112	Metal	100k	1%	1/4W
R113	Metal	NC	1%	1/4W
R114	Metal	NC	1%	1/4W
R115	Metal	NC	1%	1/4W
R116	Metal	NC	1%	1/4W
R117	Metal	NC	1%	1/4W
R118	Metal	1k5	1%	1/4W
R119	Metal	5k62	1%	1/4W
R120	Metal	3k32	1%	1/4W
R121	Metal	1k5	1%	1/4W
R122	Metal	51.1	1%	1/4W
R123	Metal	221k	1%	1/4W
R124	Metal	221k	1%	1/4W
R125	Metal	2k21	1%	1/4W
R126	Metal	51.1	1%	1/4W
R127	Metal	121	1%	1/4W
R128	Metal	4k64	1%	1/4W
R129	Metal	150k	1%	1/4W
R130	Metal	27k4	1%	1/4W
R131	Metal	6k81	1%	1/4W
R132	Metal	2k21	1%	1/4W
R133	Metal	51.1	1%	1/4W
R134	Metal	100k	1%	1/4W
R135	Metal	20k	1%	1/4W
R136	Metal	2k21	1%	1/4W
R137	Metal	1M	1%	1/4W
R138	Metal	121	1%	1/4W
R139	Metal	2k21	1%	1/4W
R140	Metal	49k9	1%	1/4W
R141	Metal	100k	1%	1/4W
R142	Metal	15k	1%	1/4W
R143	Metal	18k2	1%	1/4W
R144	Metal	15k	1%	1/4W
R145	Metal	18k2	1%	1/4W
R146	Metal	392	1%	1/4W
R147	Metal	100k	1%	1/4W
R148	Metal	3k32	1%	1/4W

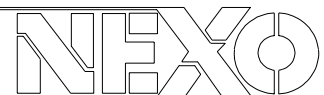
PS10TDcontroller (version 3A)				
REFERENCE	Description	SPECS	TOL	RATING
R149	Metal	464	1%	1/4W
R150	Metal	3k32	1%	1/4W
R151	Metal	100k	1%	1/4W
R152	Metal	6k81	1%	1/4W
R153	Metal	1M	1%	1/4W
R154	Metal	3k32	1%	1/4W
R155	Metal	1M	1%	1/4W
R156	Metal	221k	1%	1/4W
R157	Metal	51.1	1%	1/4W
R158	Metal	221k	1%	1/4W
R159	Metal	2k21	1%	1/4W
R160	Metal	51.1	1%	1/4W
R161	Metal	121	1%	1/4W
R162	Metal	27k4	1%	1/4W
R163	Metal	15k	1%	1/4W
R164	Metal	18k2	1%	1/4W
R165	Metal	464	1%	1/4W
R166	Metal	464	1%	1/4W
R167	Metal	1M	1%	1/4W
R168	Metal	8k25	1%	1/4W
R169	Metal	3k32	1%	1/4W
R170	Metal	33k2	1%	1/4W
R171	Metal	39k2	1%	1/4W
R172	Metal	5k62	1%	1/4W
R173	Metal	8k25	1%	1/4W
R174	Metal	11k	1%	1/4W
R175	Metal	33k2	1%	1/4W
R176	Metal	8k25	1%	1/4W
R177	Metal	22M	1%	1/4W
R178	Metal	6k81	1%	1/4W
R179	Metal	0		1/4W
R180	Metal	0		1/4W
R181	Metal	0		1/4W
R182	Metal	10k	1%	1/4W
R183	Metal	82k5	1%	1/4W
R184	Metal	150k	1%	1/4W
R185	Metal	6k81	1%	1/4W
R186	Metal	221k	1%	1/4W
R187	Metal	681k	1%	1/4W
R188	Metal	100k	1%	1/4W

PS10TDcontroller (version 3A)				
REFERENCE	Description	SPECS	TOL	RATING
R189	Metal	1M	1%	1/4W
R190	Metal	10k	1%	1/4W
R191	Metal	NC	1%	1/4W
R192	Metal	17k8	1%	1/4W
R193	Metal	27k4	1%	1/4W
R194	Metal	1k	1%	1/4W
R195	Metal	10k	1%	1/4W
R196	Metal	27k4	1%	1/4W
R197	Metal	27k4	1%	1/4W
R198	Metal	2k21	1%	1/4W
R199	Metal	22M	1%	1/4W
R200	Metal	1M	1%	1/4W
R201	Metal	10k	1%	1/4W
R202	Metal	4k64	1%	1/4W
R203	Metal	22M	1%	1/4W
R204	Metal	681k	1%	1/4W
R205	Metal	221k	1%	1/4W
R206	Metal	51.1	1%	1/4W
R207	Metal	221k	1%	1/4W
R208	Metal	22k1	1%	1/4W
R209	Metal	51.1	1%	1/4W
R210	Metal	0		1/4W
R211	Metal	221k	1%	1/4W
R212	Metal	33k2	1%	1/4W
R213	Metal	1M	1%	1/4W
R214	Metal	27k4	1%	1/4W
R215	Metal	22k1	1%	1/4W
R216	Metal	13k	1%	1/4W
R217	Metal	100k	1%	1/4W
R218	Metal	15k	1%	1/4W
R219	Metal	12k1	1%	1/4W
R220	Metal	0		1/4W
R221	Metal	18k2	1%	1/4W
R222	Metal	1M	1%	1/4W
R223	Metal	1M	1%	1/4W
R224	Metal	1M	1%	1/4W
R225	Metal	150k	1%	1/4W
R226	Metal	10k	1%	1/4W
R227	Metal	10k	1%	1/4W
R228	Metal	20k	1%	1/4W

PS10TDcontroller (version 3A)				
REFERENCE	Description	SPECS	TOL	RATING
R229	Metal	2k49	1%	1/4W
R230	Metal	22k1	1%	1/4W
R231	Metal	3k92	1%	1/4W
R232	Metal	3k92	1%	1/4W
R233	Metal	221k	1%	1/4W
R234	Metal	681k	1%	1/4W
R235	Metal	2k21	1%	1/4W
R236	Metal	1M	1%	1/4W
R237	Metal	15k	1%	1/4W
R238	Metal	2k	1%	1/4W
R239	Metal	1M	1%	1/4W
R240	Metal	221k	1%	1/4W
R241	Metal	22k1	1%	1/4W
R242	Metal	22k1	1%	1/4W
R243	Metal	1M	1%	1/4W
R244	Metal	10k	1%	1/4W
R245	Metal	2k21	1%	1/4W
R246	Metal	33k2	1%	1/4W
R247	Metal	15k	1%	1/4W
R248	Metal	22k1	1%	1/4W
R249	Metal	8k25	1%	1/4W
R250	Metal	20k	1%	1/4W
R251	Metal	33k2	1%	1/4W
R252	Metal	332k	1%	1/4W
R253	Metal	10k	1%	1/4W
R254	Metal	NC	1%	1/4W
R255	Metal	22M	1%	1/4W
R256	Metal	6k81	1%	1/4W
R257	Metal	2k21	1%	1/4W
R258	Metal	33k2	1%	1/4W
R259	Metal	464k	1%	1/4W
R260	Metal	22M	1%	1/4W
R261	Metal	150k	1%	1/4W
R262	Metal	150k	1%	1/4W
R263	Metal	3k92	1%	1/4W
R264	Metal	3k92	1%	1/4W
R265	Metal	3k92	1%	1/4W
R266	Metal	3k92	1%	1/4W
R267	Metal	1k21	1%	1/4W
R268	Metal	46k4	1%	1/4W

PS10TDcontroller (version 3A)				
REFERENCE	Description	SPECS	TOL	RATING
R269	Metal	11k	1%	1/4W
R270	Metal	8k25	1%	1/4W
R271	Metal	33k2	1%	1/4W
R272	Metal	8k25	1%	1/4W
R273	Metal	100k	1%	1/4W
R274	Metal	8k25	1%	1/4W
R275	Metal	100k	1%	1/4W
R276	Metal	82k5	1%	1/4W
R277	Metal	15k	1%	1/4W
R278	Metal	22M	1%	1/4W
R279	Metal	22M	1%	1/4W
R280	Metal	82k5	1%	1/4W
R281	Metal	121k	1%	1/4W
R282	Metal	221k	1%	1/4W
R283	Metal	464k	1%	1/4W
R284	Metal	22M		1/4W
R285	Metal	4k64	1%	1/4W
R286	Metal	4k64	1%	1/4W
R287	Metal	150k	1%	1/4W
R288	Metal	10k	1%	1/4W
R289	Metal	464k	1%	1/4W
R290	Metal	22M	1%	1/4W
R291	Metal	150k	1%	1/4W
R292	Metal	150k	1%	1/4W
R293	Metal	150k	1%	1/4W
R294	Metal	150k	1%	1/4W
R295	Metal	1M	1%	1/4W
R296	Metal	2k	1%	1/4W
R297	Metal	1M	1%	1/4W
R298	Metal	221k	1%	1/4W
R299	Metal	22k1	1%	1/4W
R300	Metal	22k1	1%	1/4W
R301	Metal	10k	1%	1/4W
R302	Metal	1M	1%	1/4W
R303	Metal	2k21	1%	1/4W
R304	Metal	15k	1%	1/4W
R305	Metal	22k1	1%	1/4W
R306	Metal	8k25	1%	1/4W
R307	Metal	20k	1%	1/4W
R308	Metal	33k2	1%	1/4W

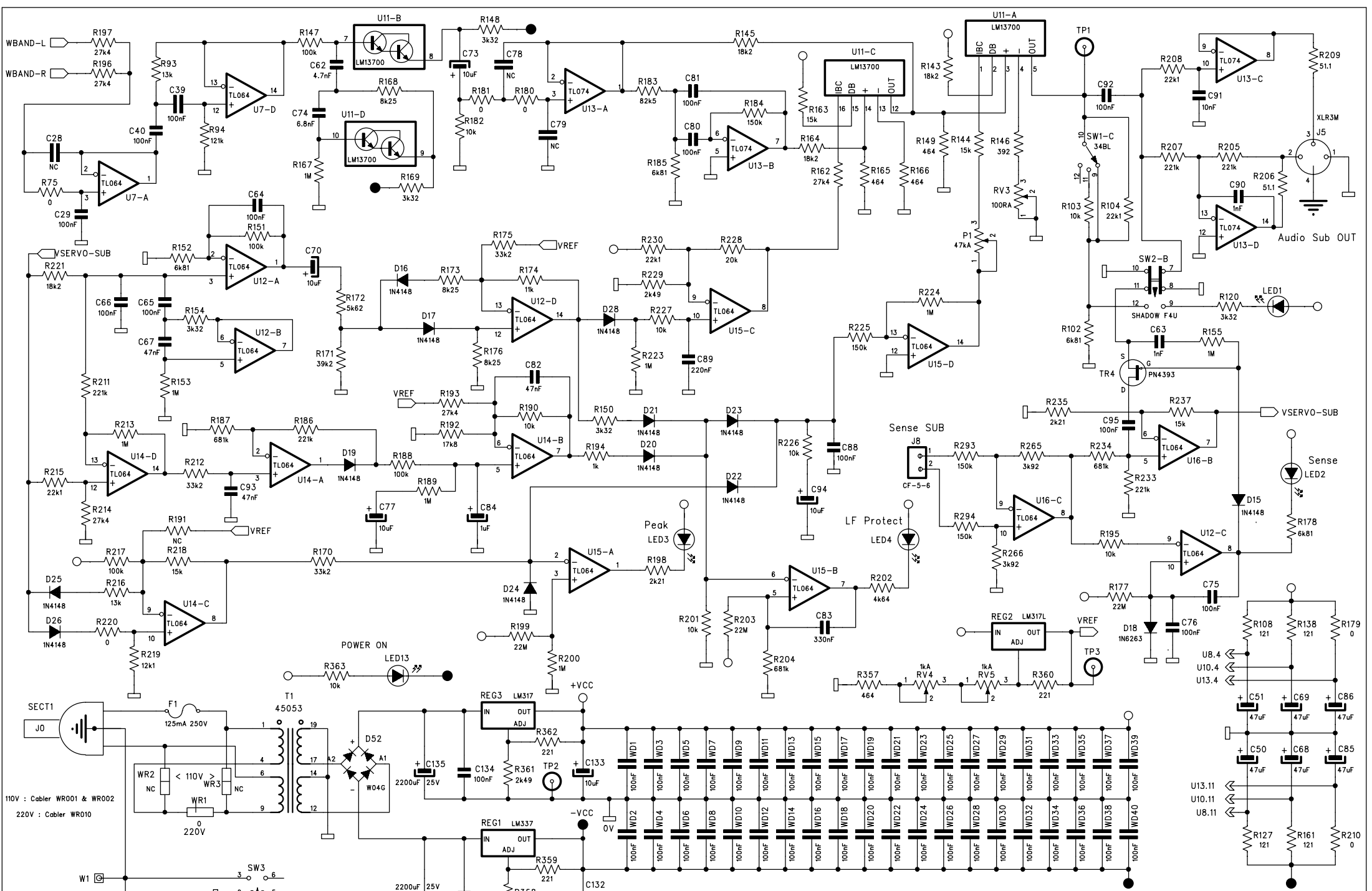
PS10TDcontroller (version 3A)				
REFERENCE	Description	SPECS	TOL	RATING
R309	Metal	332k	1%	1/4W
R310	Metal	10k	1%	1/4W
R311	Metal	NC	1%	1/4W
R312	Metal	221k	1%	1/4W
R313	Metal	100k	1%	1/4W
R314	Metal	150k	1%	1/4W
R315	Metal	49k9	1%	1/4W
R316	Metal	20k	1%	1/4W
R317	Metal	22k1	1%	1/4W
R318	Metal	150k	1%	1/4W
R319	Metal	33k2	1%	1/4W
R320	Metal	6k81	1%	1/4W
R321	Metal	2k21	1%	1/4W
R322	Metal	464k	1%	1/4W
R323	Metal	22M	1%	1/4W
R324	Metal	22M	1%	1/4W
R325	Metal	46k4	1%	1/4W
R326	Metal	1k21	1%	1/4W
R327	Metal	11k	1%	1/4W
R328	Metal	8k25	1%	1/4W
R329	Metal	33k2	1%	1/4W
R330	Metal	8k25	1%	1/4W
R331	Metal	8k25	1%	1/4W
R332	Metal	100k	1%	1/4W
R333	Metal	100k	1%	1/4W
R334	Metal	33k2	1%	1/4W
R335	Metal	82k5	1%	1/4W
R336	Metal	15k	1%	1/4W
R337	Metal	22M	1%	1/4W
R338	Metal	22M	1%	1/4W
R339	Metal	82k5	1%	1/4W
R340	Metal	121k	1%	1/4W
R341	Metal	221k	1%	1/4W
R342	Metal	464k	1%	1/4W
R343	Metal	22M	1%	1/4W
R344	Metal	100k	1%	1/4W
R345	Metal	221k	1%	1/4W
R346	Metal	150k	1%	1/4W
R347	Metal	49k9	1%	1/4W
R348	Metal	150k	1%	1/4W

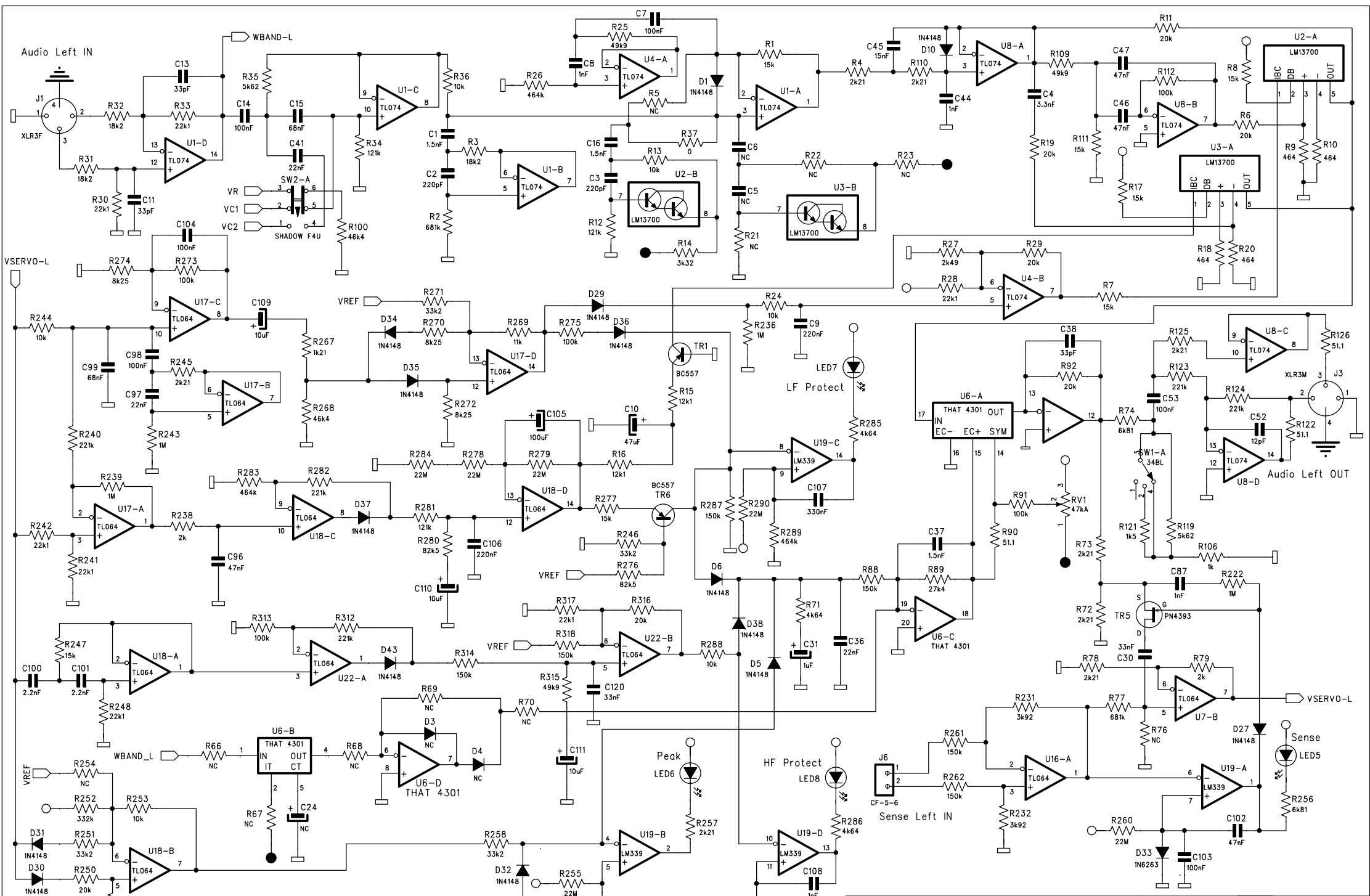


PS10TDcontroller (version 3A)				
REFERENCE	Description	SPECS	TOL	RATING
R349	Metal	20k	1%	1/4W
R350	Metal	22k1	1%	1/4W
R351	Metal	10k	1%	1/4W
R352	Metal	4k64	1%	1/4W
R353	Metal	4k64	1%	1/4W
R354	Metal	150k	1%	1/4W
R355	Metal	464k	1%	1/4W
R356	Metal	22M	1%	1/4W
R357	Metal	464	1%	1/4W
R358	Metal	2k49	1%	1/4W
R359	Metal	221	1%	1/4W
R360	Metal	221	1%	1/4W
R361	Metal	2k49	1%	1/4W
R362	Metal	221	1%	1/4W
R363	Metal	10k	1%	1/4W
REG1	LM337			
REG2	LM317L			
REG3	LM317			
RV1	T10FV	47kA		
RV2	T10FV	47kA		
RV3	T10FV	100RA		
RV4	T10FV	1kA		
RV5	T10FV	1kA		
SW1	34BL	4C/3P		
SW2	Shadow f4u	4 RT		
SW3	Schadow f2u	2 RT		
T1	UI39	2x15V		14VA
TP1	Test point			
TP2	Test point			
TP3	Test point			
TR1	BC557			
TR2	BC557			
TR3	PN4393			
TR4	PN4393			
TR5	PN4393			
TR6	BC557			
TR7	BC557			
U1	TL074	w/o socket		
U2	LM13700	w/o socket		
U3	LM13700	w/o socket		

PS10TDcontroller (version 3A)				
REFERENCE	Description	SPECS	TOL	RATING
U4	TL074	w/o socket		
U5	TL074	w/o socket		
U6	THAT 4301	w/o socket		
U7	TL064	w/o socket		
U8	TL074	w/o socket		
U9	THAT 4301	w/o socket		
U10	TL074	w/o socket		
U11	LM13700	w/o socket		
U12	TL064	w/o socket		
U13	TL074	w/o socket		
U14	TL064	w/o socket		
U15	TL064	w/o socket		
U16	TL064	w/o socket		
U17	TL064	w/o socket		
U18	TL064	w/o socket		
U19	LM339	w/o socket		
U20	TL064	w/o socket		
U21	TL064	w/o socket		
U22	TL064	w/o socket		
U23	LM339	w/o socket		
W1				
WD1	Ceramic	100nF	10%	63V
WD2	Ceramic	100nF	10%	63V
WD3	Ceramic	100nF	10%	63V
WD4	Ceramic	100nF	10%	63V
WD5	Ceramic	100nF	10%	63V
WD6	Ceramic	100nF	10%	63V
WD7	Ceramic	100nF	10%	63V
WD8	Ceramic	100nF	10%	63V
WD9	Ceramic	100nF	10%	63V
WD10	Ceramic	100nF	10%	63V
WD11	Ceramic	100nF	10%	63V
WD12	Ceramic	100nF	10%	63V
WD13	Ceramic	100nF	10%	63V
WD14	Ceramic	100nF	10%	63V
WD15	Ceramic	100nF	10%	63V
WD16	Ceramic	100nF	10%	63V
WD17	Ceramic	100nF	10%	63V
WD18	Ceramic	100nF	10%	63V
WD19	Ceramic	100nF	10%	63V

PS10TDcontroller (version 3A)				
REFERENCE	Description	SPECS	TOL	RATING
WD20	Ceramic	100nF	10%	63V
WD21	Ceramic	100nF	10%	63V
WD22	Ceramic	100nF	10%	63V
WD23	Ceramic	100nF	10%	63V
WD24	Ceramic	100nF	10%	63V
WD25	Ceramic	100nF	10%	63V
WD26	Ceramic	100nF	10%	63V
WD27	Ceramic	100nF	10%	63V
WD28	Ceramic	100nF	10%	63V
WD29	Ceramic	100nF	10%	63V
WD30	Ceramic	100nF	10%	63V
WD31	Ceramic	100nF	10%	63V
WD32	Ceramic	100nF	10%	63V
WD33	Ceramic	100nF	10%	63V
WD34	Ceramic	100nF	10%	63V
WD35	Ceramic	100nF	10%	63V
WD36	Ceramic	100nF	10%	63V
WD37	Ceramic	100nF	10%	63V
WD38	Ceramic	100nF	10%	63V
WD39	Ceramic	100nF	10%	63V
WD40	Ceramic	100nF	10%	63V
WR1	Metal	0		1/4W
WR2	Metal	NC		1/4W
WR3	Metal	NC		1/4W





PSTD for PS10 & LS500 Left Channel	PS10TD3A	PAGE: 2/3	V:3A
	NEXO	DATE : 01/94	AUTEUR : Ph ROBEAU

