

NEXO

I N N O V A T E



SPARE PARTS

NEXO-SA

AFTER SALE DEPARTMENT

154 allée des Erables

ZAC Paris Nord II

B.P.50107

95950 ROISSY Cedex

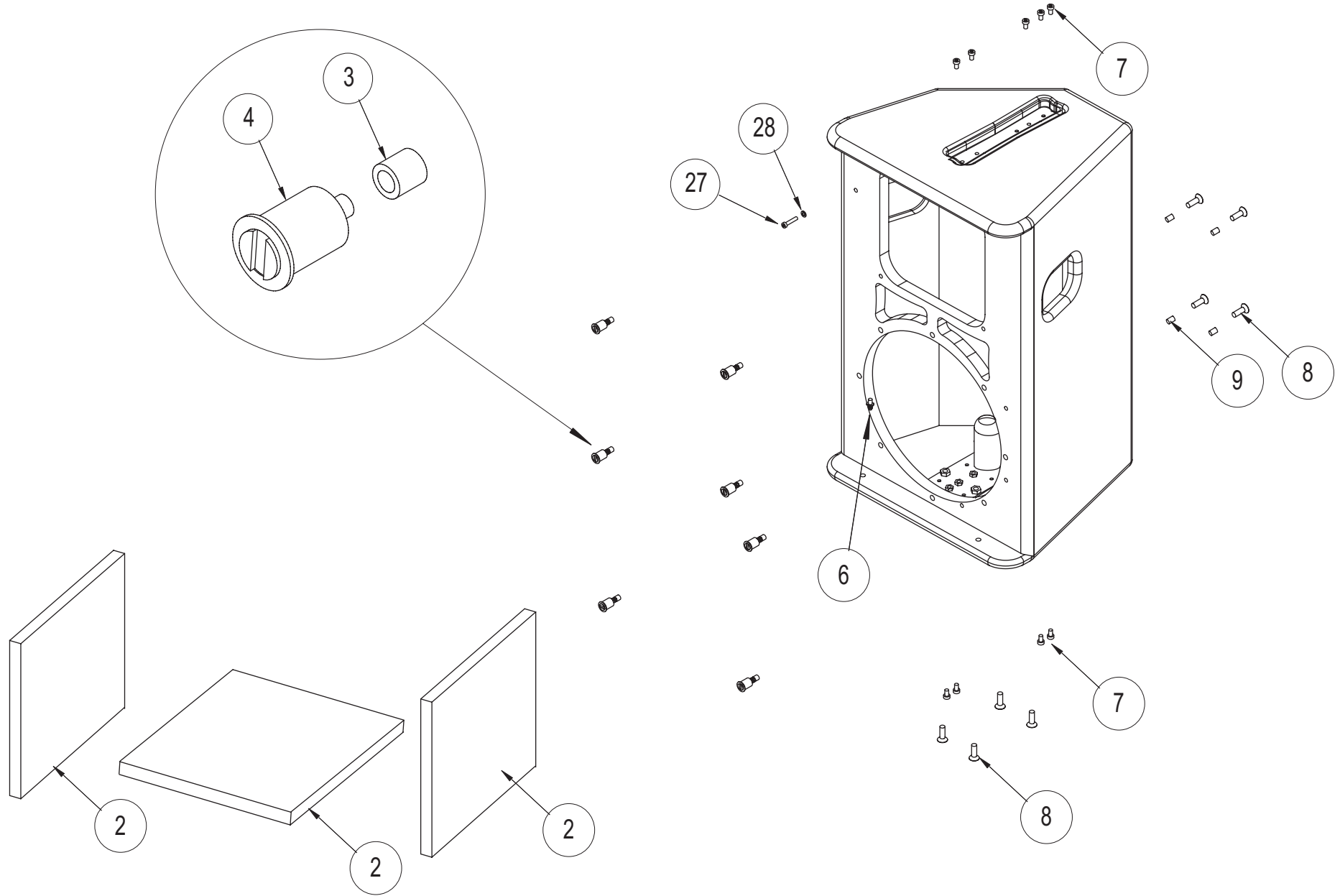
FRANCE

Email : gilbert.laporte@nexo.fr

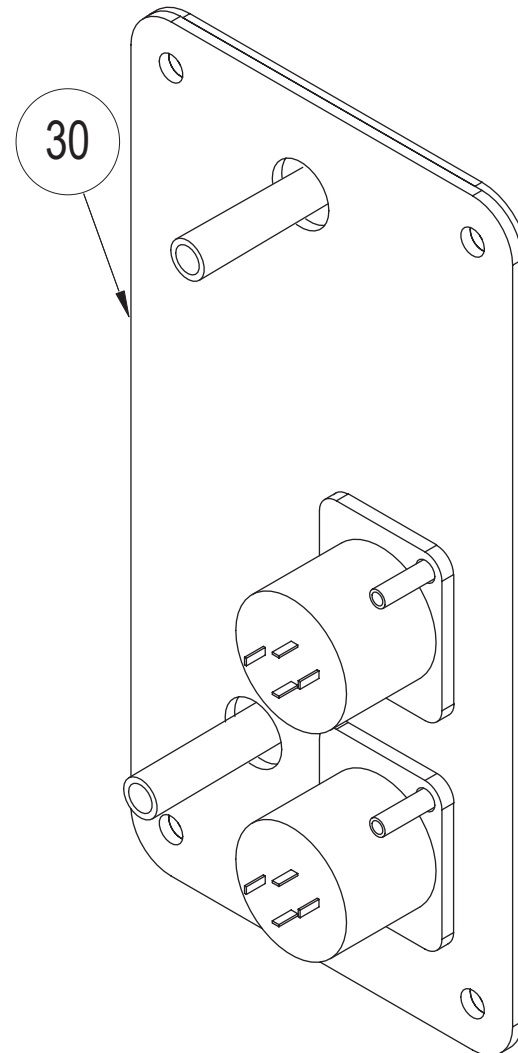
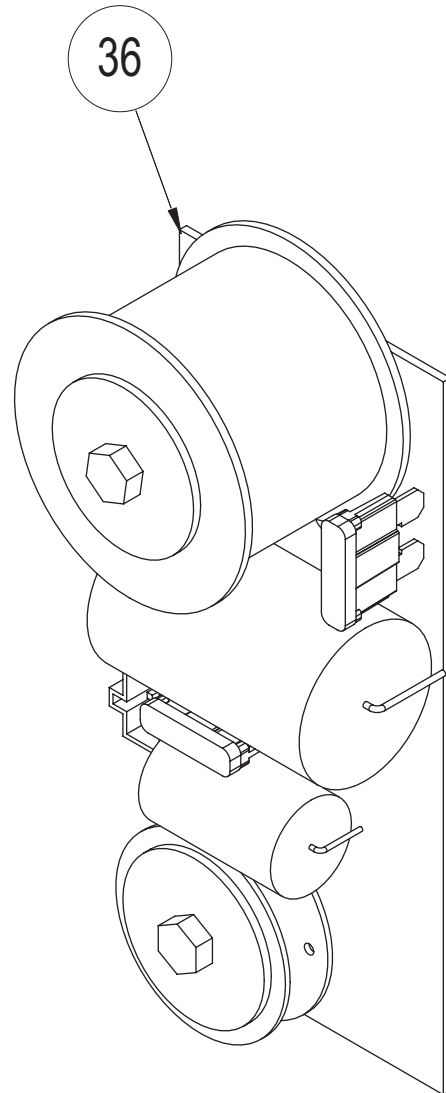
NEXO

INNOVATE

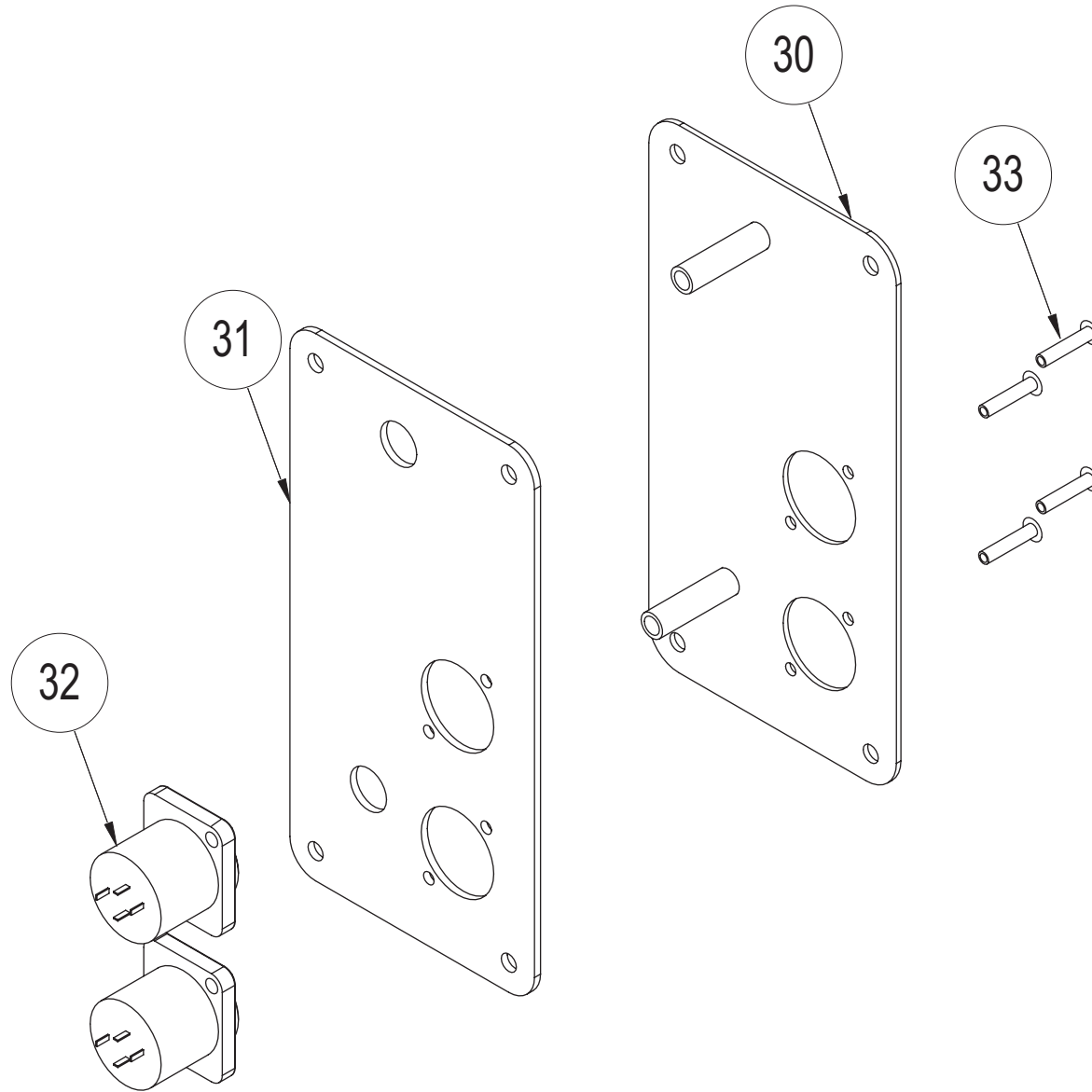
PS 10 COMPLETE CABINET



PS 10 COMPLETE PASSIVE FILTER



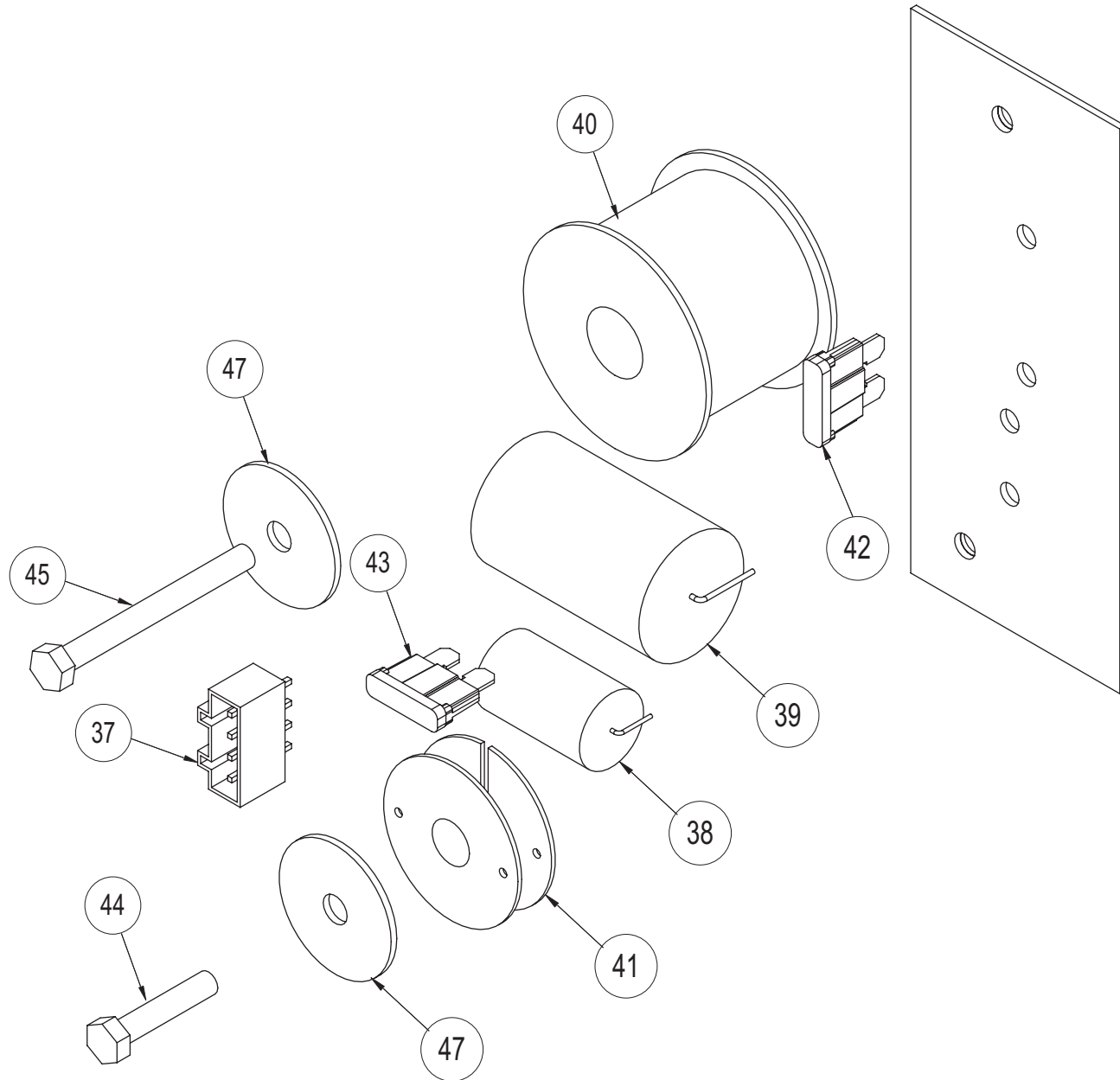
PS 10 COMPLETE CONNECTION PLATE

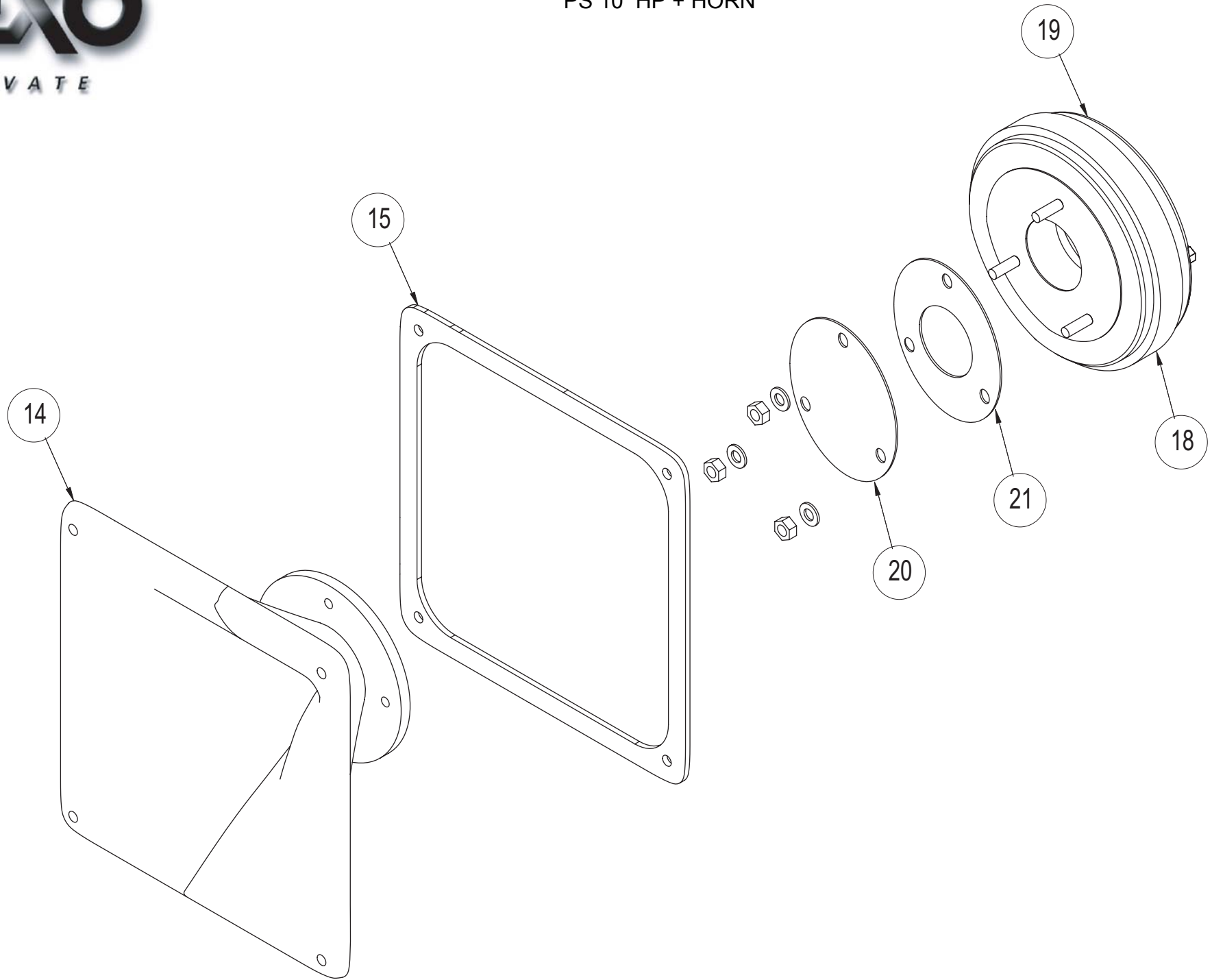




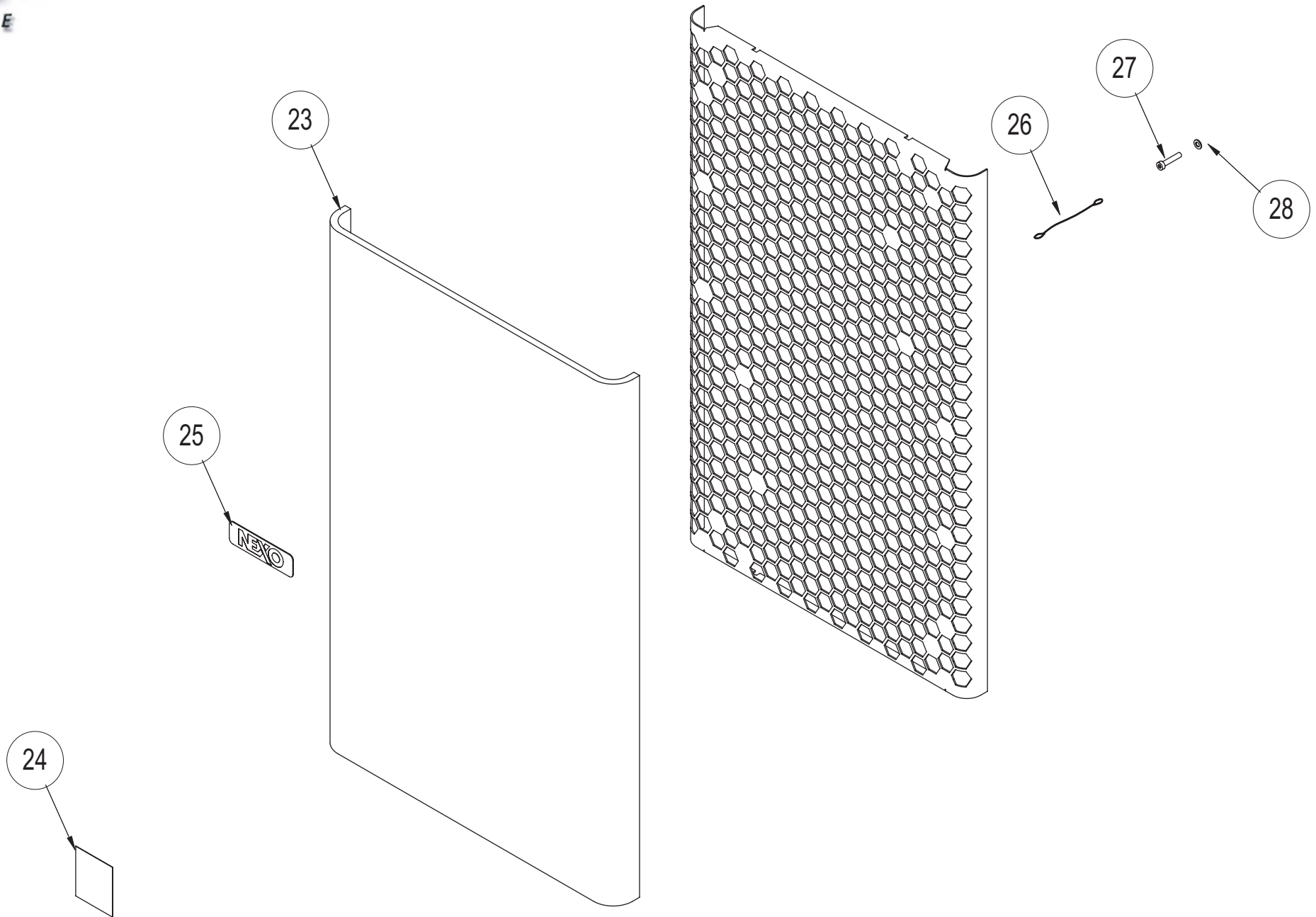
INNOVATE

PS 10 MAIN PASSIVE FILTER BOARD





PS 10 COMPLETE GRID



MARK	QUANTITY	ASSEMBLY	SUB ASSEMBLY	PART REFERENCE	DESIGNATION
PS.10					
1	1	\$EBPS10		\$EBPS10	CABINET PS10 + ACCESSORIES
2	3			\$MSAF2311	FOAM NAUER SAF65180 FOR PS10
3	7			\$AP74511	INSERT WOOD 74-5-11
4	7			\$AIMANT1	MAGNET JS 6 BLACK
5	2			\$APEVPS10	PROFILE PORT PS10
6	3			\$CPBHTS2	BHTS-2-M6-01 INSERT WOOD
7	9			\$VXTCX610N	SCREW CHC INOX BLACK 6X10
8	8			\$VXTCFX825N	SCREW TORX FLAT HEAD BLACK 8X25
9	4			\$VGRAF8	NUT GRAF 8 mm
10	1		\$N1068R-8	\$N1060R-8	BASS SPEAKER 10" FOR PS10
11	1			\$N1068R/K	RECONE KIT 10" FOR PS10 + FERROFLUID
12	8			\$VXTCX525N	SCREW CHC INOX BLACK 5X25
13	1			\$JNEOHPBPS10	JOINT BASS SPEAKER PS10
14	1		\$PAVPS10	\$PAVPS10	HORN PS10
15	1			\$JNEOHMPS10	JOINT FOR HORN PS10
16	4			\$VXTCX525N	SCREW CHC INOX BLACK 5X25
17	4			\$VRX516N	WASHER STAINLESS STEEL BLACK 5X16
18	1		\$NH45B-8	\$NH45B-8	DRIVER 1" DE45 PS10
19	1			\$NH45R/K	DIAPHRAGM FOR DE45 PS10
20	1			\$PS8JPPI	JOINT PPI DIA 70 3 HOLES
21	1			\$JCALDE45	PAPERBOARD FIX FOR DE45 B&C
22	1		\$PS.10UA	\$PS.10UA	COMPLETE GRID PS10
23	1			\$MBULPEPS10	FOAM BULRPEN 35 BLACK HIFI PS10
24	1			\$LOGPS10	LOGO PS10
25	1			\$LOGNEXO1	LOGO NEXO ALU 0.8
26	1			\$DRISSAC	STEEL SLING
27	1			\$VXTCXF525N	SCREW CHC INOX BLACK 5X25
28	1			\$VRA510ZN	WASHER 5X10 TREATED BLACK

29	1	\$PS.10FPC		\$PS.10FPC	PASSIVE FILTER FOR PS10 COMPLETE
30	1		\$PS.10FPA	\$PS.10FPA	CONNECTION PLATE FOR PS10 WITH ARTWORK
31	1			\$JNEOHM+TPS10	JOINT HORN HM + TRAPPE PS10
32	2			\$CNXNL4MDV	SPEAKON NL4MDV
33	4			\$VRIV3.216N	RIVET ALUMINIUM BLACK
34	4			\$VXTCBX416N	SCREW TORX BUTTOM HEAD 4X16 STAINLESS STEEL BLACK
35	4			\$VGRAF4	NUT GRAF A 4mm
36	1		\$PS.10FPB	\$PS.10FPB	PASSIVE FILTER
37	1			\$CNX721-164/001	CONNECTOR MALE WAGO 721-164/001-000
38	1			\$FCNP2.7	CAPACITOR 2.7μF MKP PB 400 Vdc 5%
39	1			\$FCNP15	CAPACITOR 15μF MKP PB 400 Vdc 5%
40	1			\$FS300H0.9	COIL 0.9mH 300gr CARCASSR R21
41	1			\$FS30H0.54	COIL 0.54mH 30gr 36X22
42	1			\$FFAUTO10	FUSE 10A
43	1			\$FFAUTO3	FUSE 3A
44	1			\$VLTH525	SCREW BRASS 5X25
45	1			\$VLTH550	SCREW BRASS 5X50
46	4			\$VRA510ZN	WASHER 5X10 TREADTED BLACK
47	2			\$VRA630Z	PLAIN WASHER Za 6X30
48	1			\$CNX721-104/026	CONNECTOR FEMALE WAGO 721-104/026-000